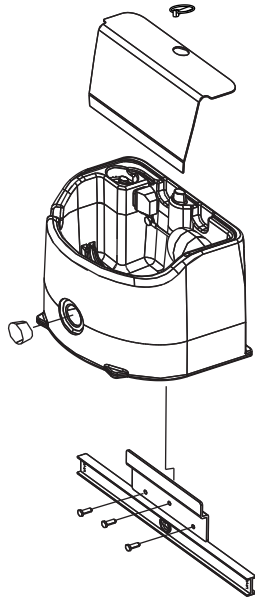


**Wall Mounted**

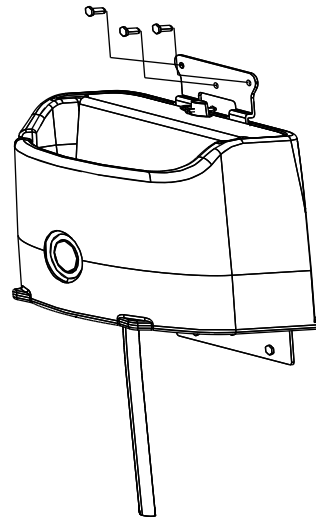
1



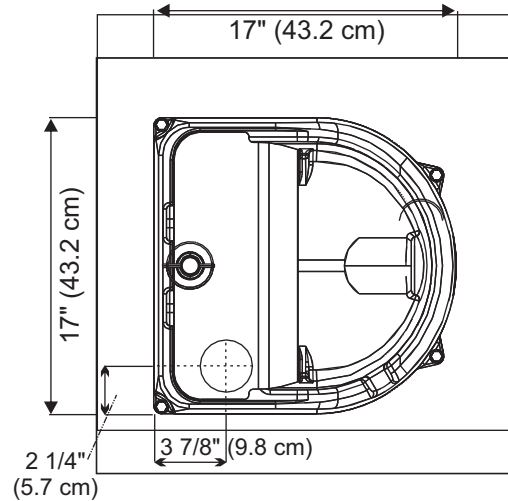
Note: hardware bolts not included



2

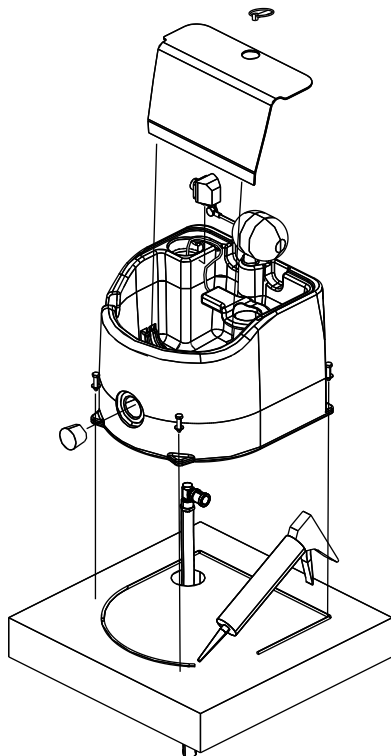


2

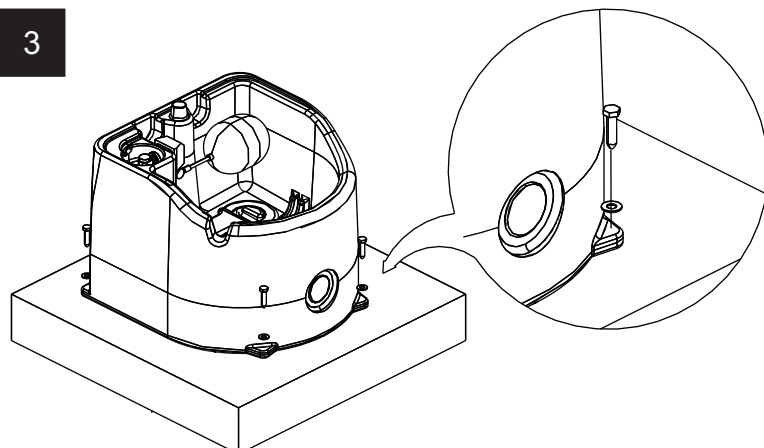


**Floor Mounted**

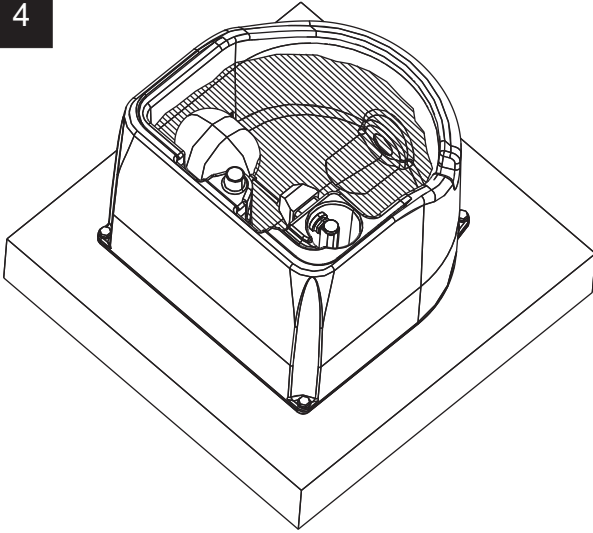
1



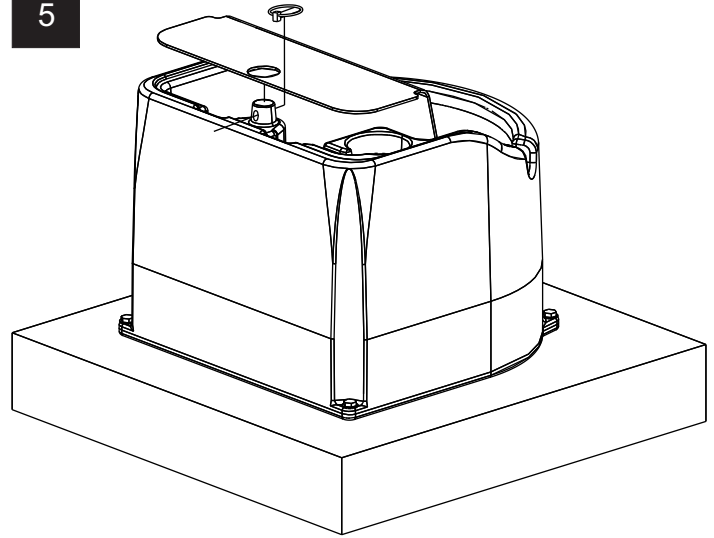
3



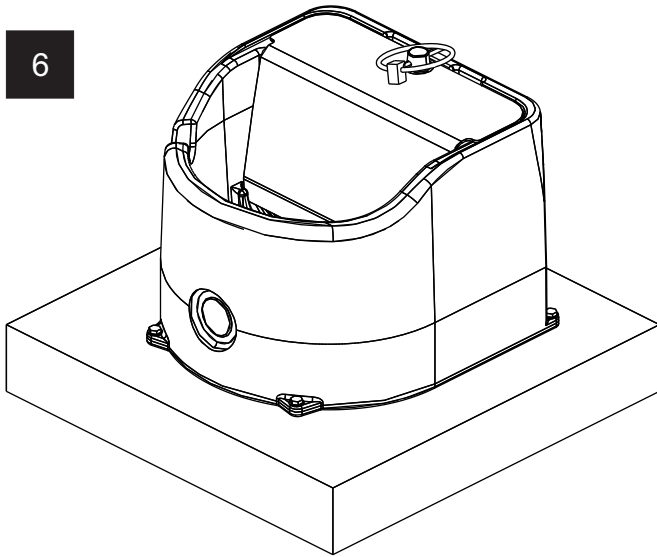
4



5



6



**Water Pressure:** Please note the valve is appropriate for water pressure up to 55 psi.

Updated: July 2015

# Warranty Policy



It is the goal of SPI Plastics Inc. to provide our customers with the finest in livestock watering equipment products.

SPI provides a 10 (ten) year warranty on any purchase of our livestock watering equipment, which includes the models listed below. This warranty covers defects in the material or workmanship. The warranty however, is limited only to the value of the defected part and does not include any freight charges, loss of production and/or changes in operation. It does not cover damage due to careless machine handling and neglect. Proof of purchase is required.

<b>Electric Models**:</b>	EE10NG; VS15E; VS20E; VS20LPE
<b>Energy Free Models:</b>	351NG; 352NG; 354NG
<b>Tip Tanks:</b>	TIPTANK4,NG; TIPTANK7,NG
<b>XL Series:</b>	7XL; 10XL; 12XL
<b>Stock Tanks:</b>	35GALLON;100GALLON;150GALLON
<b>Troughs:</b>	TROUGH7
<b>Value Series:</b>	VS15; VS20; VS20LP

***SPI provides a 1 (One) Year Warranty for:***

- Float and Valve
- Door Hinges
- Submersible Heater and Heat Tape

***Water Pressure:*** The valve is appropriate for water pressure up to 55 psi.

***\*\*Note: To ensure the life of your electric livestock waterer be sure that the waterer is drained and shut off when not in use.***

Copyright © 2004 - 2021  
SPI Plastics Inc. All rights reserved  
Printed in Canada

Updated: July 2015

165 Stoneman Drive, Box 100  
Shallow Lake, ON N0H 2K0 Canada

[T] 800-269-6533 or 519-935-2211  
[F] 519-935-2174

spi@spiplastics.com  
www.spiplastics.com

