



where kids want to play



THOUSANDS
of playsystems installed
around the world



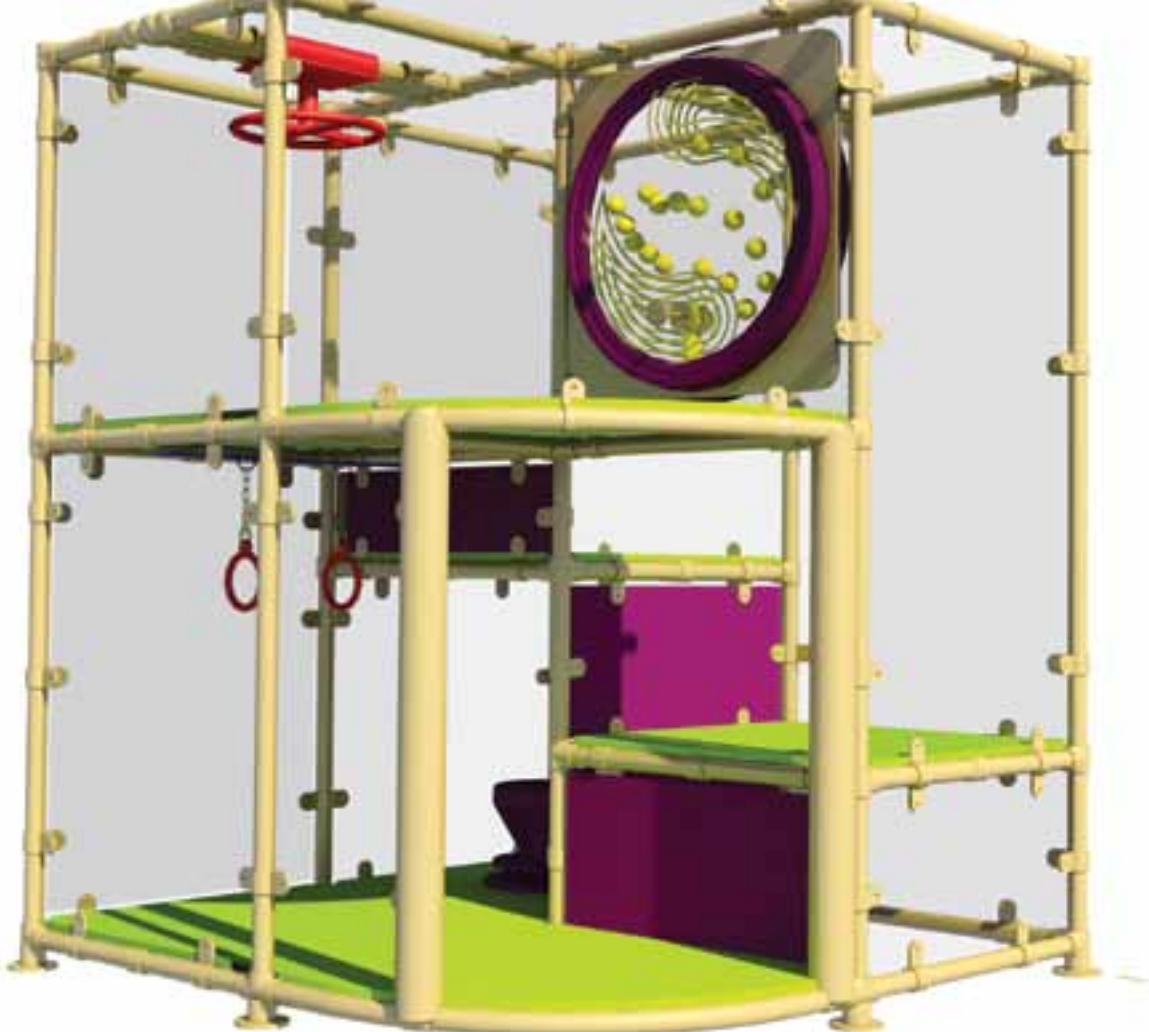
WORLD-CLASS PRODUCTS,
PERSONALIZED SUPPORT

SPI has been developing, designing, manufacturing and servicing the play market since 1995. We are honored to have our playsystems installed around the globe.

Our approach to business is simple yet effective; we call it our **5 STAR STRATEGY**

- * We offer the highest **Quality** products that require the least amount of maintenance and are the most durable.
- * Our designers are continually trained and kept up to date on international **Safety** standards.
- * SPI designs are created to maximize the **Fun** potential of any space available. We offer the largest number of activity options in the industry.
- * **Innovation** is a never-ending quest for SPI. We are constantly developing new playsystems, new activities and new designs to keep up with the requirements of our clients and the expectations of children around the world.
- * We strongly believe in building **Partnerships** with our clients. Whether it is in the early design stages of a project, installation or after-sales service; we are always there.

This catalogue has been prepared to provide an overview of our diversification in design capacity. However, our objective is to listen to our clients and offer **CUSTOM** designs created for each project's requirements!



SM301 SMALL UNIT

PLAY EVENTS

1. (1) Activity Panels: Pinball
2. (1) Deck Climber: 3 level Square Deck
3. (1) Sky Spinner
4. (1) Pull Up Rings
5. (1) Twist 'n Turn Seat with Steering Wheel

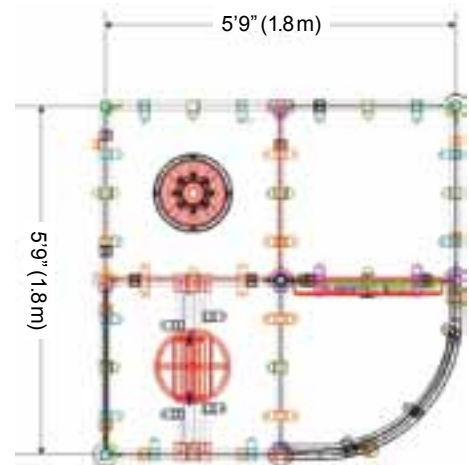
CAPACITY

12

HEIGHT

7' 8" (2.4 m)

Graphics Packages Available



PLAY EVENTS

1. (1) Activity Panels: Pinball
2. (2) Deck Climbers: 3 level Square Deck, 2 level Tri-Deck
3. (1) Pull Up Rings
4. (1) Sky Spinner
5. (1) Squeeze Play
6. (1) Twist 'n Turn Seat
7. (2) Lily Pad



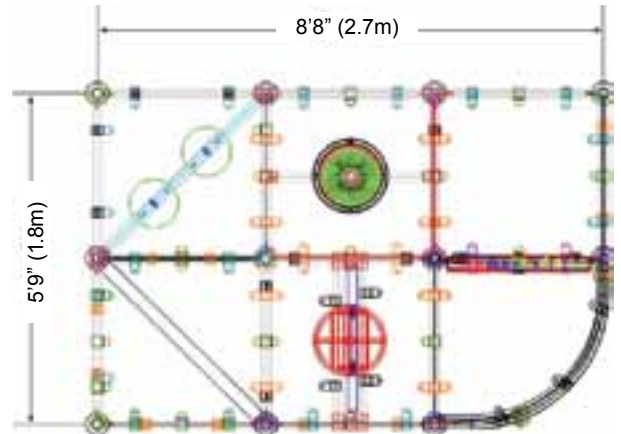
CAPACITY

18

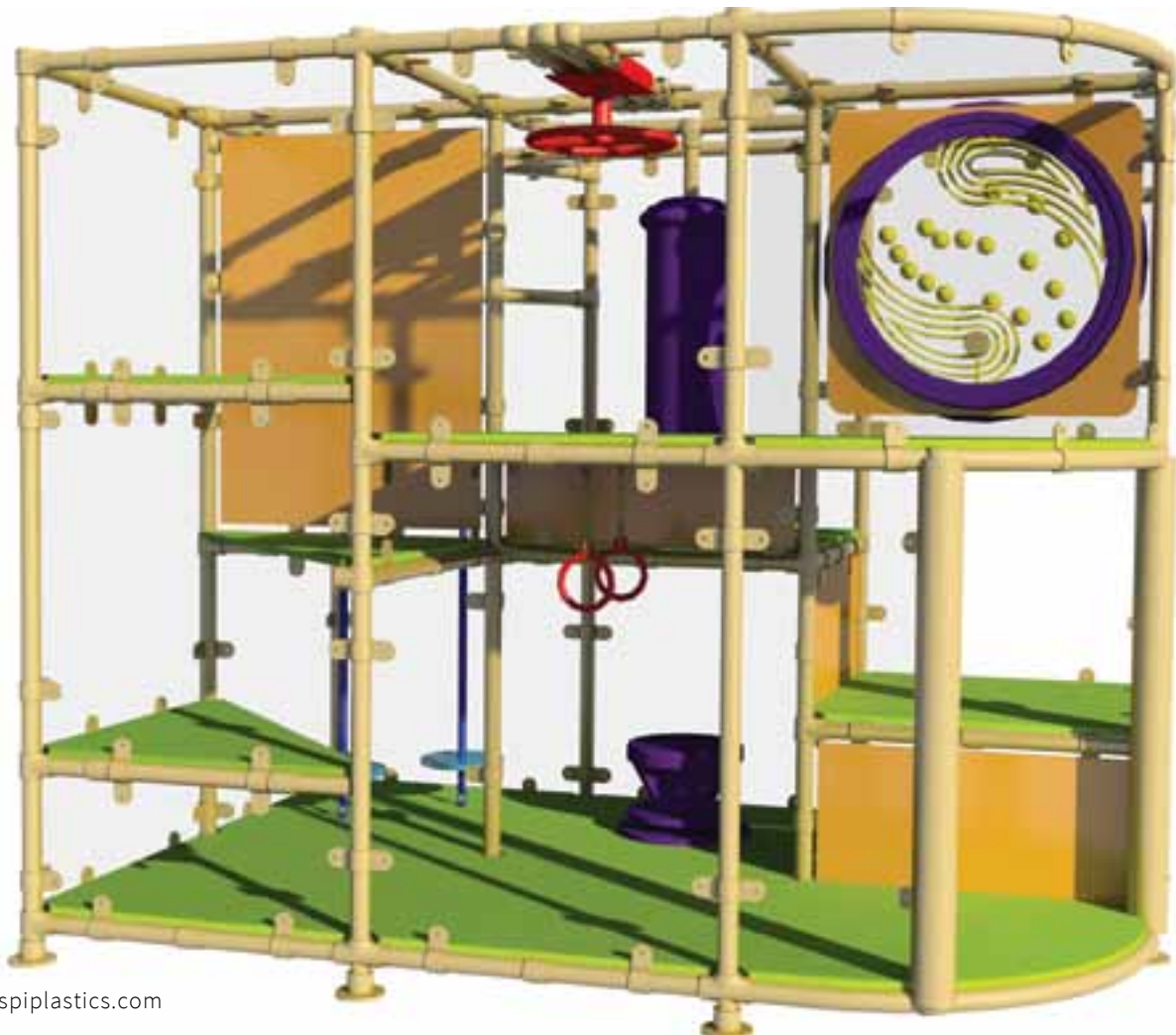
HEIGHT

7' 8" (2.4 m)

Graphics Packages Available



SM302 SMALL UNIT





SM303 SMALL UNIT

PLAY EVENTS

1. (1) Climber: 3 Level KidsCube™
2. (1) Slide: 3' Open Curve
3. (1) Bedrock Mini Climber
4. (2) Activity Panels: Ball Turn & Gyro

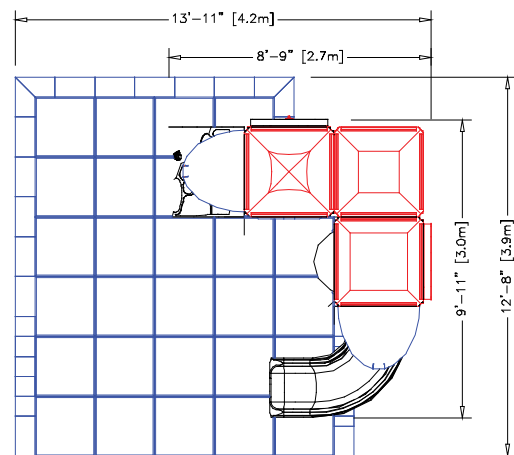
CAPACITY

8

HEIGHT

7' 8" (2.4 m)

Graphics Packages Available



PLAY EVENTS

- 1. (1) Climber: 3 Level KidsCube™
- 2. (2) Slides: 2' Open Toddler, 4' Tube
- 3. (1) Crawl Tube with Window
- 4. (1) Activity Panels: Pinball

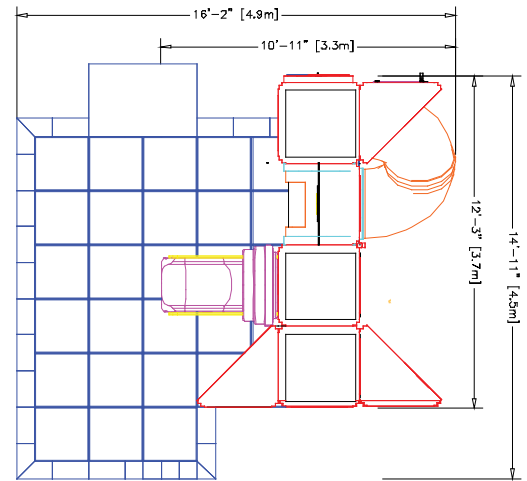
CAPACITY

10

HEIGHT

7' 5" (2.3 m)

Graphics Packages Available



SM304
SMALL UNIT





SM305 SMALL UNIT

PLAY EVENTS

1. (1) Climber: 3 Level KidsCube™
2. (1) Slide: 4' Tube
3. (1) Chit Chat Balcony
4. (1) Pedal Pod

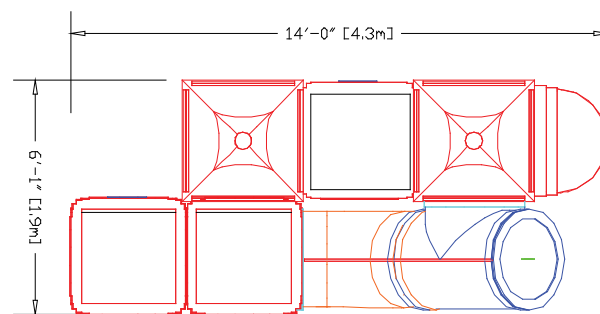
CAPACITY

10

HEIGHT

12' (3.7 m)

Graphics Packages Available



PLAY EVENTS

1. (1) Climber: 3 Level KidsCube™
2. (2) Slides: 6' Tube, 2' Open Toddler
3. (1) Crawl Tunnel with Windows

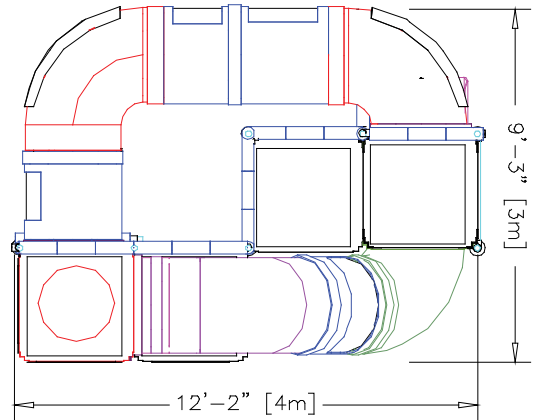
CAPACITY

20

HEIGHT

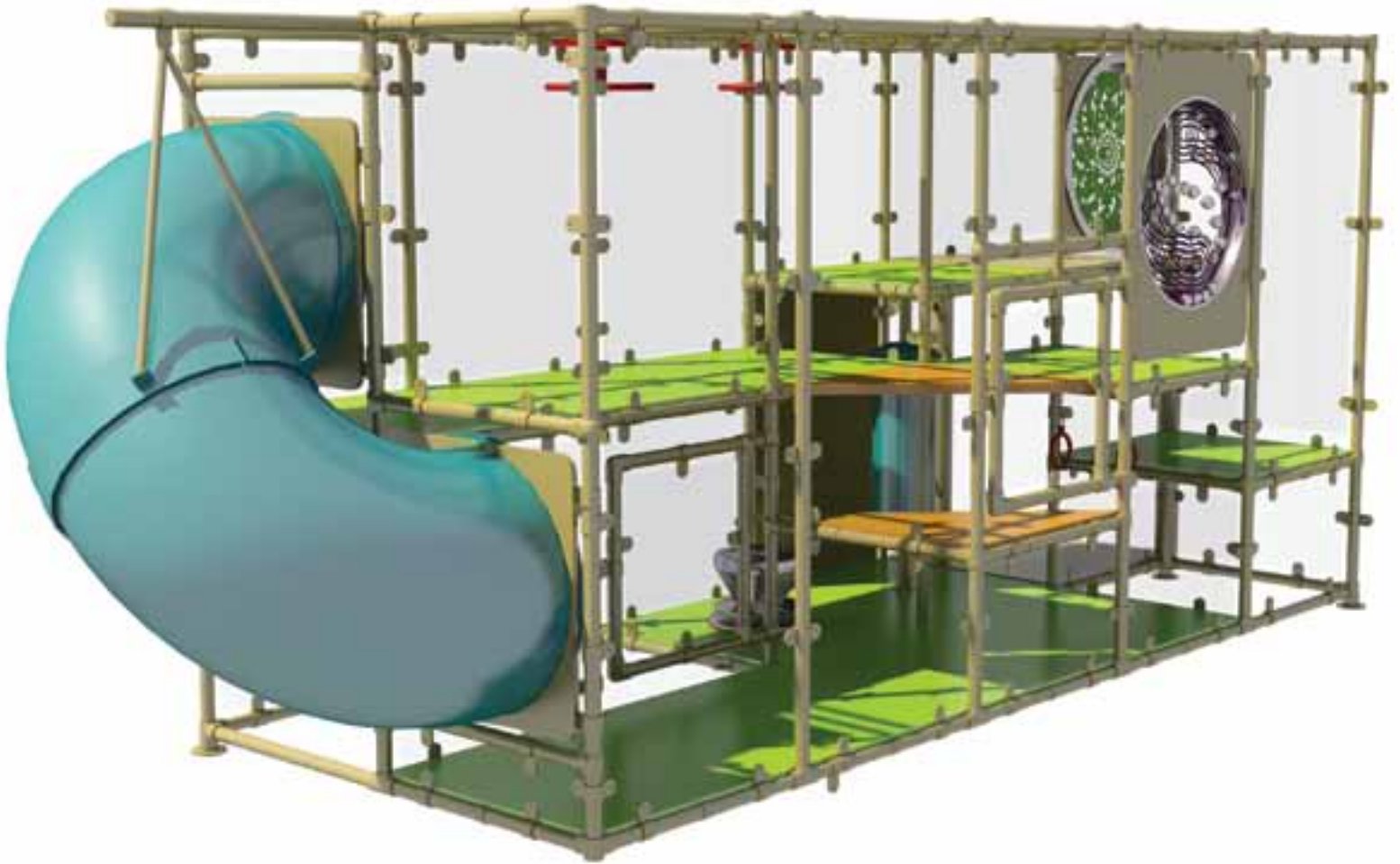
7' 8" (2.4 m)

Graphics Packages Available



SM306 SMALL UNIT





MED307 MEDIUM UNIT

PLAY EVENTS

1. (2) Activity Panels: Gyro & Pinball
2. (2) Deck Climbers: 3 level Square Deck, 2 level Tri-Deck
3. (1) Pull Up Rings
4. (2) Sky Spinners
5. (1) Squeeze Play
6. (1) Twist 'n Turn Seat with Steering Wheel
7. (1) Slide: 4' Curved Tube

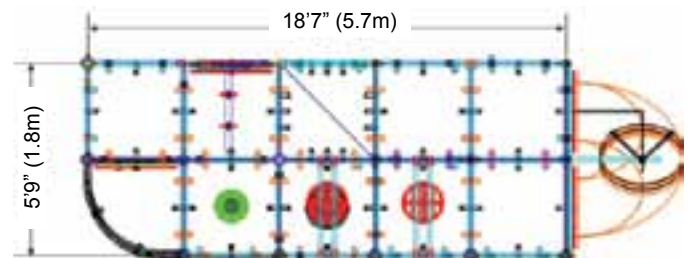
CAPACITY

22

HEIGHT

7' 8" (2.4 m)

Graphics Packages Available



PLAY EVENTS

- 1. (1) Climber: 3 Level KidsCube™
- 2. (2) Activity Panels: Ball Turn & Gyro
- 3. (1) Slide: 4' Tube
- 4. (1) Skywheel
- 5. (2) Chit Chat Balconies
- 6. (1) Rock Wall Traverse
- 7. (1) Twist n' Turn Seat

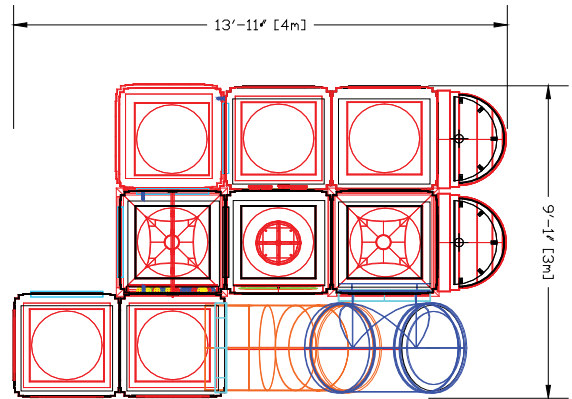
CAPACITY

15

HEIGHT

12' (3.7 m)

Graphics Packages Available



MED308
MEDIUM UNIT





MED309 MEDIUM UNIT

PLAY EVENTS

1. (3) Activity Panels: Ball Turn, Gyro, C-Force
2. (1) Deck Climber: 3 level Square Deck
3. (1) Sky Spinner
4. (2) Squeeze Plays
5. (2) Wave Runs
6. (1) Slide: 5' Curved Tube

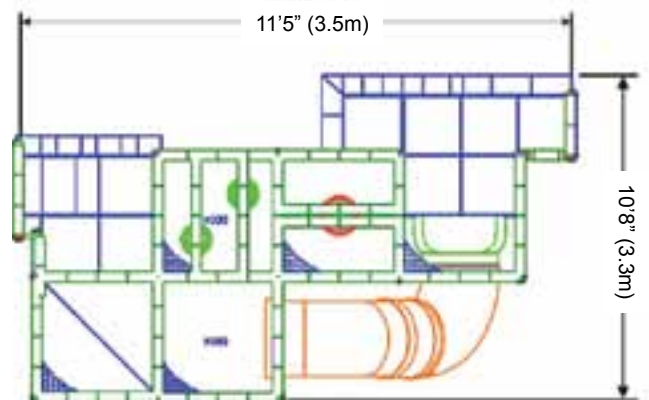
CAPACITY

14

HEIGHT

7' 5" (2.3 m)

Graphics Packages Available



PLAY EVENTS

1. (1) Activity Panel: Tic Tac Toe
2. (1) Climber: 3 level KidsCube™
3. (1) Jet with Steering Wheel & Lookout Windows
4. (1) Crawl Tunnel with Lookout Windows
5. (2) Slides: 5' Enclosed Tube, 3' Curved Tot

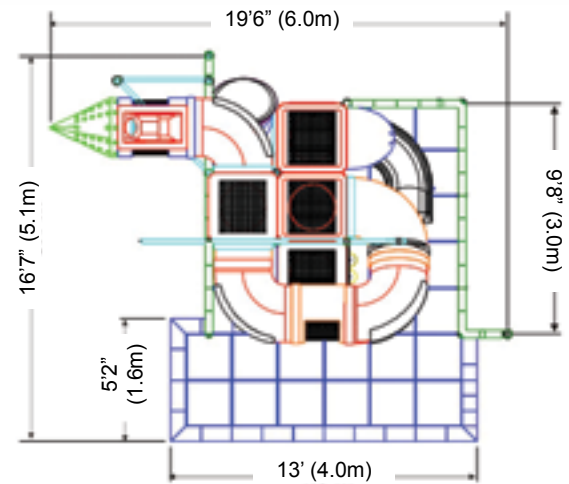
CAPACITY

18

HEIGHT

11' 5" (3.5 m)

Graphics Packages Available



MED310 MEDIUM UNIT





MED311 MEDIUM UNIT

PLAY EVENTS

1. (1) Deck Climber: 3 level Tri-Deck
2. (1) Twist 'n Turn Seat
3. (2) Wave Runs
4. (2) Lily Pad
5. (1) Slide: 4' Enclosed Curved Tube Slide

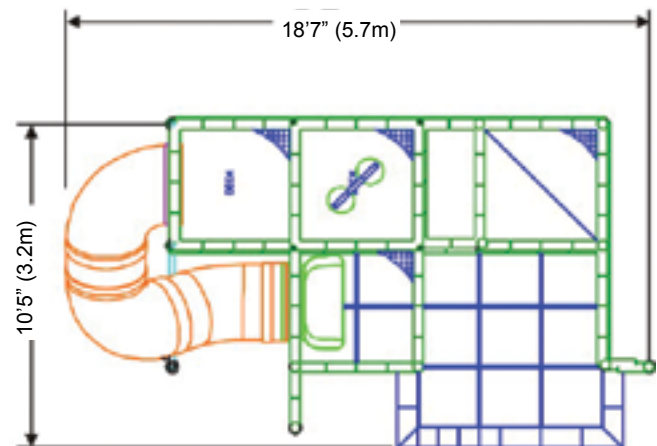
CAPACITY

14

HEIGHT

14' (4.3 m)

Graphics Packages Available



PLAY EVENTS

1. (1) Climber: 4 Level KidsCube™
2. (2) Slides: 4' Tube, 6' Tube
3. (1) Crawl Tunnel with Windows
4. (2) Twist 'n Turn Seats
5. (1) Chit Chat Balcony
6. (1) Rock Wall Traverse
7. (1) Squeeze Play
8. (1) Pull Up Rings

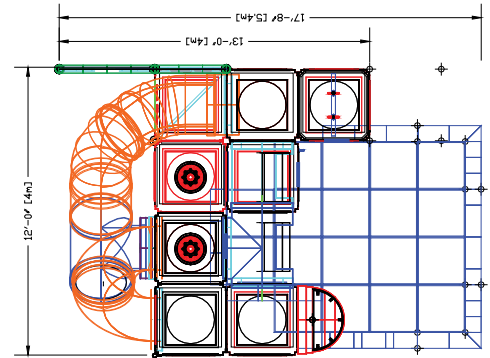
CAPACITY

30

HEIGHT

10' 5" (3.2 m)

Graphics Packages Available



MED312 MEDIUM UNIT





LG313 LARGE UNIT

PLAY EVENTS

1. (5) Activity Panels: Ball Turn, Gears, Gyro, Pinball, & Tic Tac Toe
2. (1) 1 level Deck Climb
3. (8) Graphics Panels as shown
4. (1) Jet with Steering Wheel & Lookout Windows
5. (1) 6 level Deck Climb
6. (1) 12' Enclosed Spiral Slide

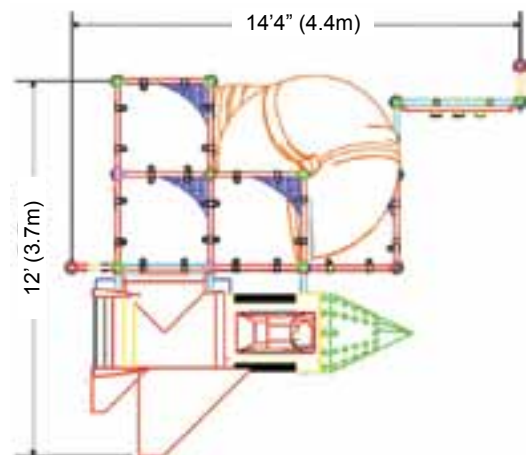
CAPACITY

27

HEIGHT

14' 7" (4.5 m)

Graphics Packages Available



PLAY EVENTS

1. (4) Activity Panels: Ball Turn, Gears, Gyro & Pinball
2. (1) Deck Climber: 6 level Square Deck
3. (1) Graphics Panel as shown
4. (1) Jet with Steering Wheel & Lookout Windows
5. (1) Slide: 12' Enclosed Spiral Slide

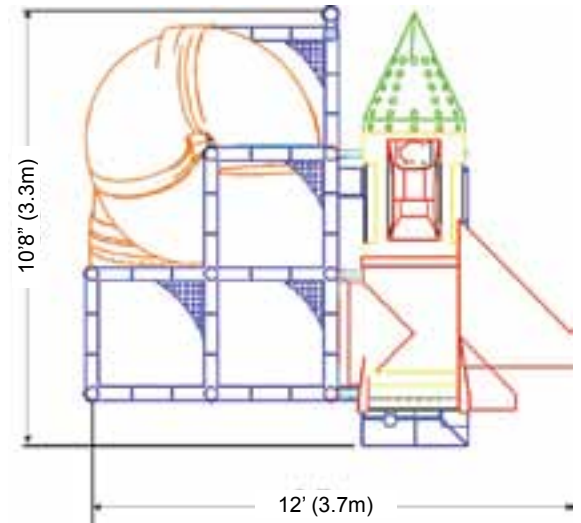
CAPACITY

25

HEIGHT

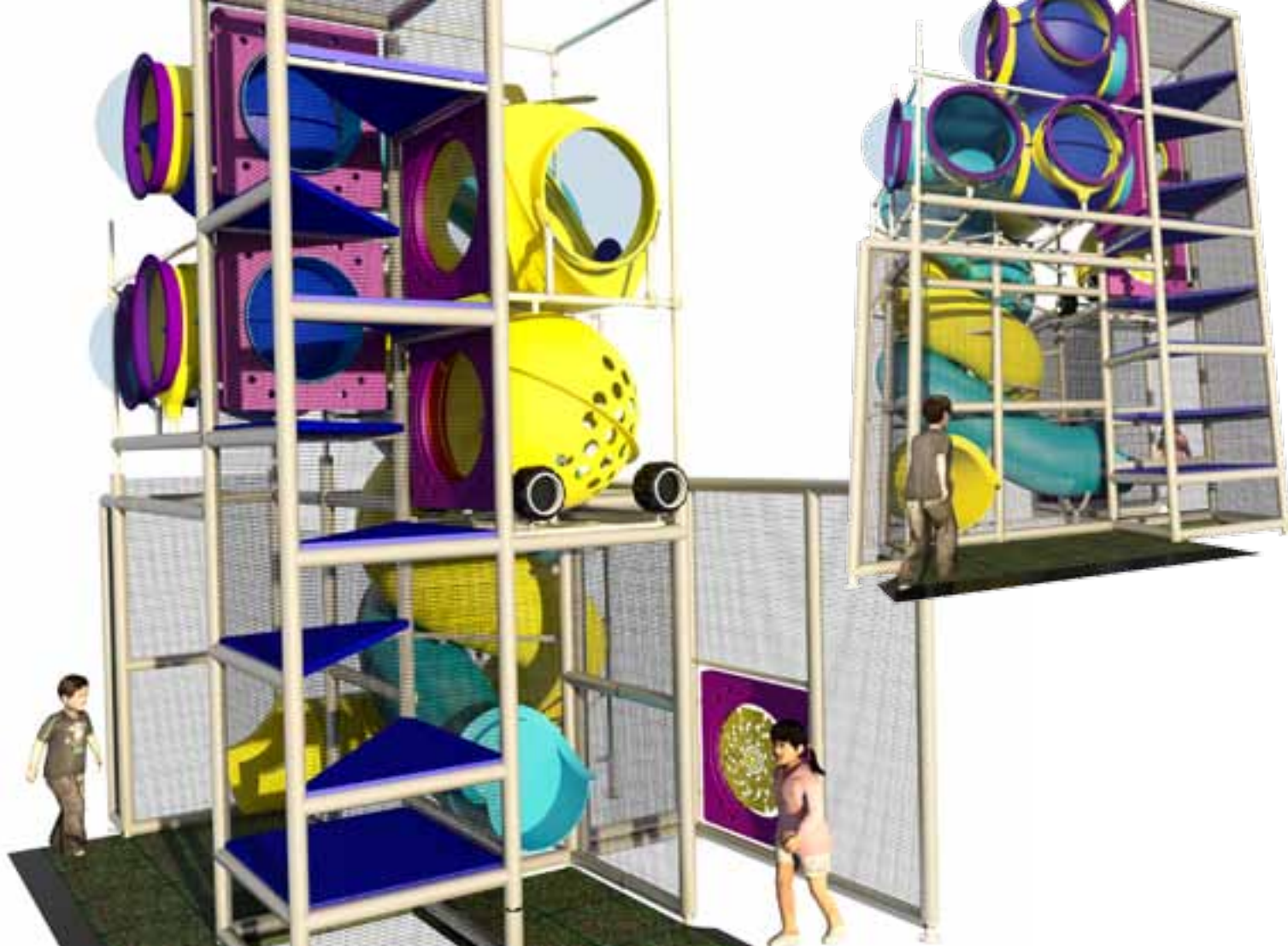
14' 7" (4.5 m)

Graphics Packages Available



LG314 LARGE UNIT





LG315 LARGE UNIT

PLAY EVENTS

1. (1) Activity Panel: Gyro
2. (1) Deck Climber: 8 level Tri-Deck
3. (2) Sphere Junctions with Lookout Windows
4. (1) Sphere Car with Steering Wheel
5. (1) Turbo Helicopter with Steering Wheel & Lookout Windows
6. (2) T-Tube Junctions with Lookout Windows
7. (2) Slides: 10' and 12' Enclosed Intertwining Spiral

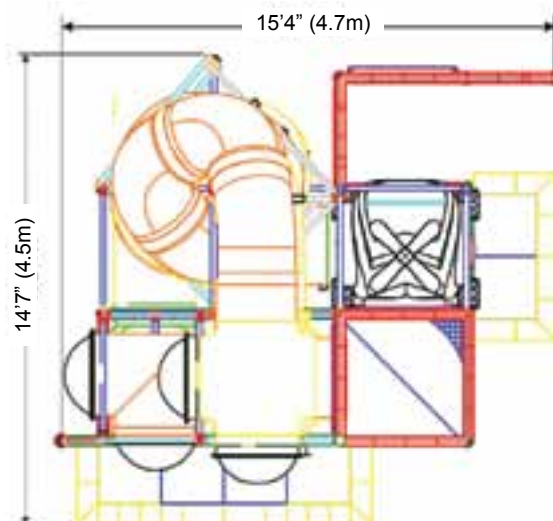
CAPACITY

32

HEIGHT

18' (5.5 m)

Graphics Packages Available



PLAY EVENTS

1. (3) Activity Panels: Ball Turn, Gears & Gyro
2. (1) Deck Climber: 3 level Tri-Deck
3. (1) Graphics Panel as shown
4. (1) Crawl Tube
5. (1) Indy Race Car with Steering Wheel & Lookout Windows
6. (1) Jet with Steering Wheel & Lookout Windows
7. (1) Wave Run
8. (2) Lily Pad
9. (4) Sky Spinners
10. (1) Squeeze Play
11. (1) Twist 'n Turn Seat
12. (1) Slide: 12' Enclosed Spiral



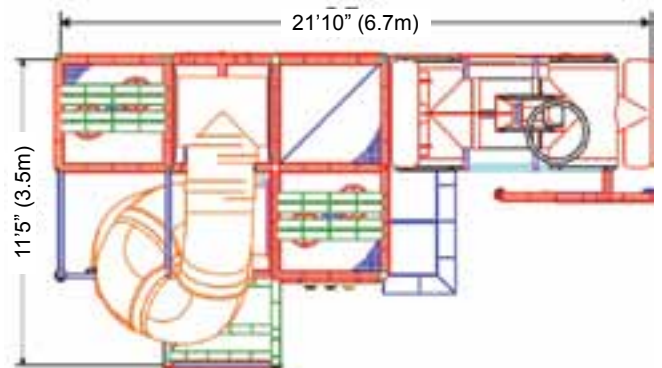
CAPACITY

32

HEIGHT

16' 4" (5.0 m)

Graphics Packages Available



LG316
LARGE UNIT





LG317 LARGE UNIT

PLAY EVENTS

1. (5) Activity Panels: Alarm Clock, Ball Turn, Gyro, Pinball & Tic Tac Toe
2. (1) Deck Climber: 5 level Square Deck
3. (5) Graphics Panels as shown
4. (1) Jet with Steering Wheel & Lookout Windows
5. (1) Turbo Helicopter with Steering Wheel & Lookout Windows
6. (1) Sky Spinner
7. (2) Sphere Junctions
8. (2) Squeeze Plays
9. (1) Twist 'n Turn Seat with Steering Wheel
10. (2) Slides: 13' Enclosed Intertwining Spiral

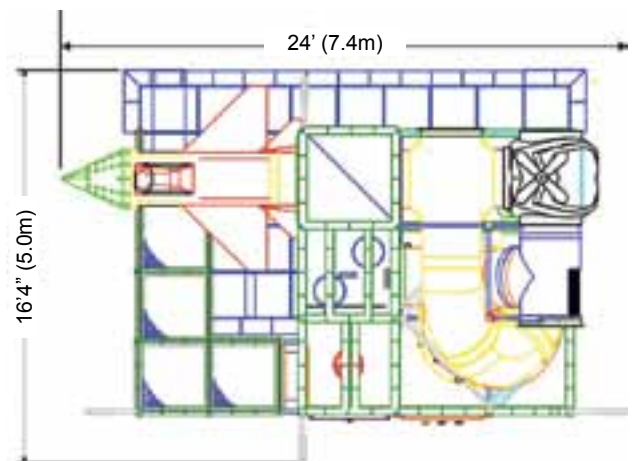
CAPACITY

45

HEIGHT

14' (4.3 m)

Graphics Packages Available



PLAY EVENTS

1. (1) Activity Panel: Ball Turn, Gyro, Pinball
2. (3) Deck Climber: 2 level Square Deck, 3 level Square Deck, 5 level Tri-Deck
3. (4) Graphics Panels as shown
4. (1) Diagonal Roll
5. (1) Pedal Pod
6. (1) Pull-Up Rings
7. (2) Rock Wall Traverse (2 panels each)
8. (3) Sky Spinners
9. (1) Squeeze Play
10. (2) Twist 'n Turn Seats with Steering Wheels
11. (1) Twist 'n Turn Seat
12. (2) Wave Runs
13. (2) Lily Pad
14. (2) Slides: 11' Enclosed Spiral, 4' Enclosed Tube

CAPACITY

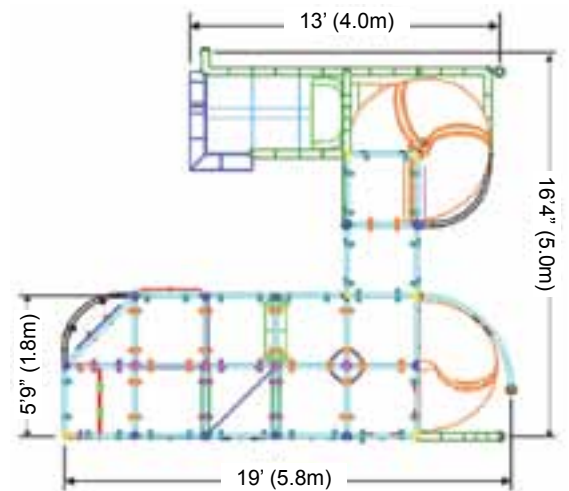
30

HEIGHT

14' 4" (4.4 m)

Graphics Packages Available

LG318 LARGE UNIT





LG319 LARGE UNIT

PLAY EVENTS

1. (1) Activity Panel: Tic Tac Toe
2. (1) Deck Climber: 4 level Square Deck
3. (36) Graphics Panels as shown
4. (1) Pull-Up Rings
5. (2) Punching Bags
6. (1) Rock Wall Traverse
7. (1) Sky Spinner
8. (2) Squeeze Plays
9. (1) T-Tube Junction with Lookout Windows
10. (2) Lily Pad
11. (2) Slides: 11' Enclosed Intertwining Spiral

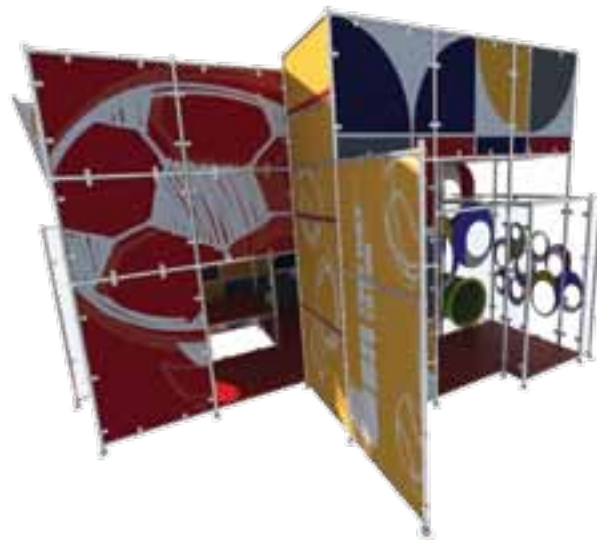
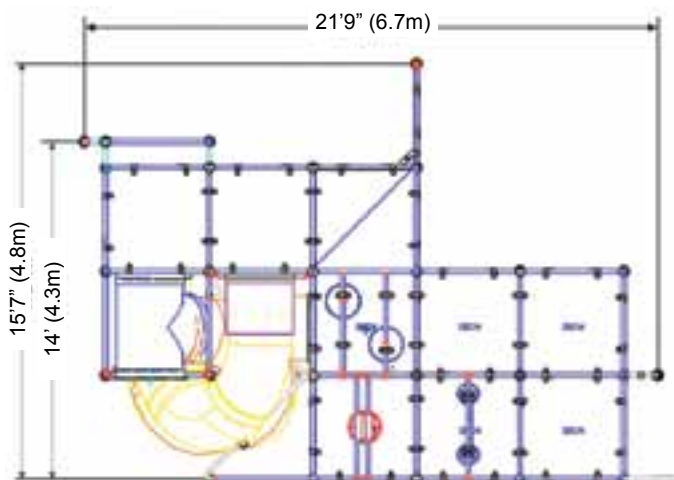
CAPACITY

48

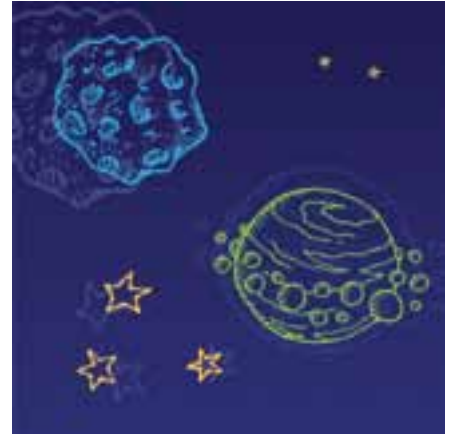
HEIGHT

14' (4.3 m)

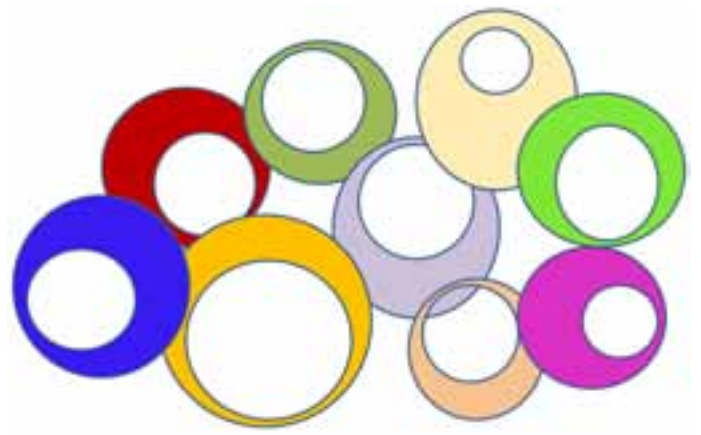
Graphics Packages Available



CUSTOM GRAPHICS PACKAGES



Custom Graphics Packages are available. *The sky is the limit!*



PLAY EVENTS



Ball Toss Exercise Room



Bi-Plane



Chit Chat Balcony



Chit Chat Balcony
with Steering Wheel



Indy Car



Inline Basketball



Jump Cube



Junction
Cube



Junction
Sphere



Junction
T-Tube



Pedal Pod



Pull Up Rings



Rock Wall Traverse



Sky Spinner



Sneaker Keepers
Horizontal



Squeeze Play



Square Deck Climber



Steering Wheel



Tri Deck Climb



Tube Slides
Intertwining Spiral Slides



Tube Slides
Spiral



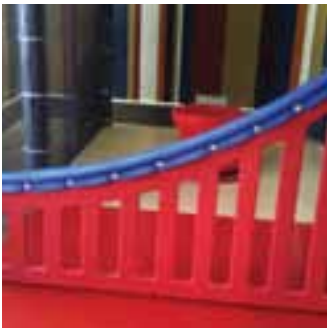
Turbo Car



Turbo Helicopter



Twist 'N' Turn Seat



Wave Wall



Lily Pad

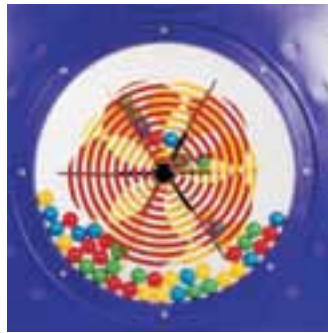
TODDLER PLAY EVENTS



Activity Panels
Alarm Clock



Activity Panels
Alarm Clock



Activity Panels
Ball Turn



Activity Panels
C-Force



Activity Panels
Gyro Spinner



Activity Panels
Pinball



Activity Panels
Tic-Tac-Toe



Adventure Table



Riding Animals
Elephant



Riding Animals
Frog



Riding Animals
Whale



Tot Kingdom



Twist 'N' Turn Seat
with Steering Wheel



2' Tot Slide



3' Curved Tot Slide

WARRANTY POLICY

PLAYSYSTEM

The following warranty policy is applicable for installed playgrounds supplied by SPI, where SPI is known as the Supplier. It is the goal of SPI to provide our customers the finest playsystem/play units available.

Supplier warrants to Purchaser the Approved Equipment shall be fabricated in a workable manner, and the Approved Equipment shall be free from defects in material and workmanship for a period of 1 (one) year from the date the installation of the playsystem/play unit is complete. During the stated one year period, the Supplier shall service the Equipment and complete any required repairs to defective parts without charge or provide necessary parts to be self-installed where applicable. Freight of the equipment will be the responsibility of the customer.

Parts required which are not defective shall be replaced at additional cost. Supplier shall not be required to make repairs or replace any parts if damage to the playsystem/play unit is caused by vandalism, abuse or by extraordinary wear and tear. Purchaser agrees to properly notify the Supplier of any defects immediately upon detection. Defective items will be either repaired or replaced by Supplier at Supplier's option.

Supplier shall retain the right to close the operations of the playsystem/play unit during any time the repairs are being made.

Note: Warranty does not cover fading or dirt and grime on safety flooring. Some examples of vandalism include scratching of windows or Plexiglas fence, damage by sharp objects to post padding, netting and vinyl products. Proper cleaning chemicals and procedures must be implemented to maintain warranty. If the play equipment is or has been altered without the permission of SPI, the entire warranty is null and void.

POLYETHYLENE COMPONENTS

SPI provides a 10 (ten) limited warranty for all SPI Polyethylene Components. This warranty covers structural failure for the value of the product, not including freight charges or labour expense.

Note: Warranty does not cover vandalism or cosmetic issues (such as colour fading).

UPDATED: SEPTEMBER 16, 2015

INDUSTRY ASSOCIATION MEMBERSHIP



CERTIFICATION



US ASTM F1918-12

Standard Safety Performance Specification for Soft Contained Play Equipment



US ASTM F1292-09

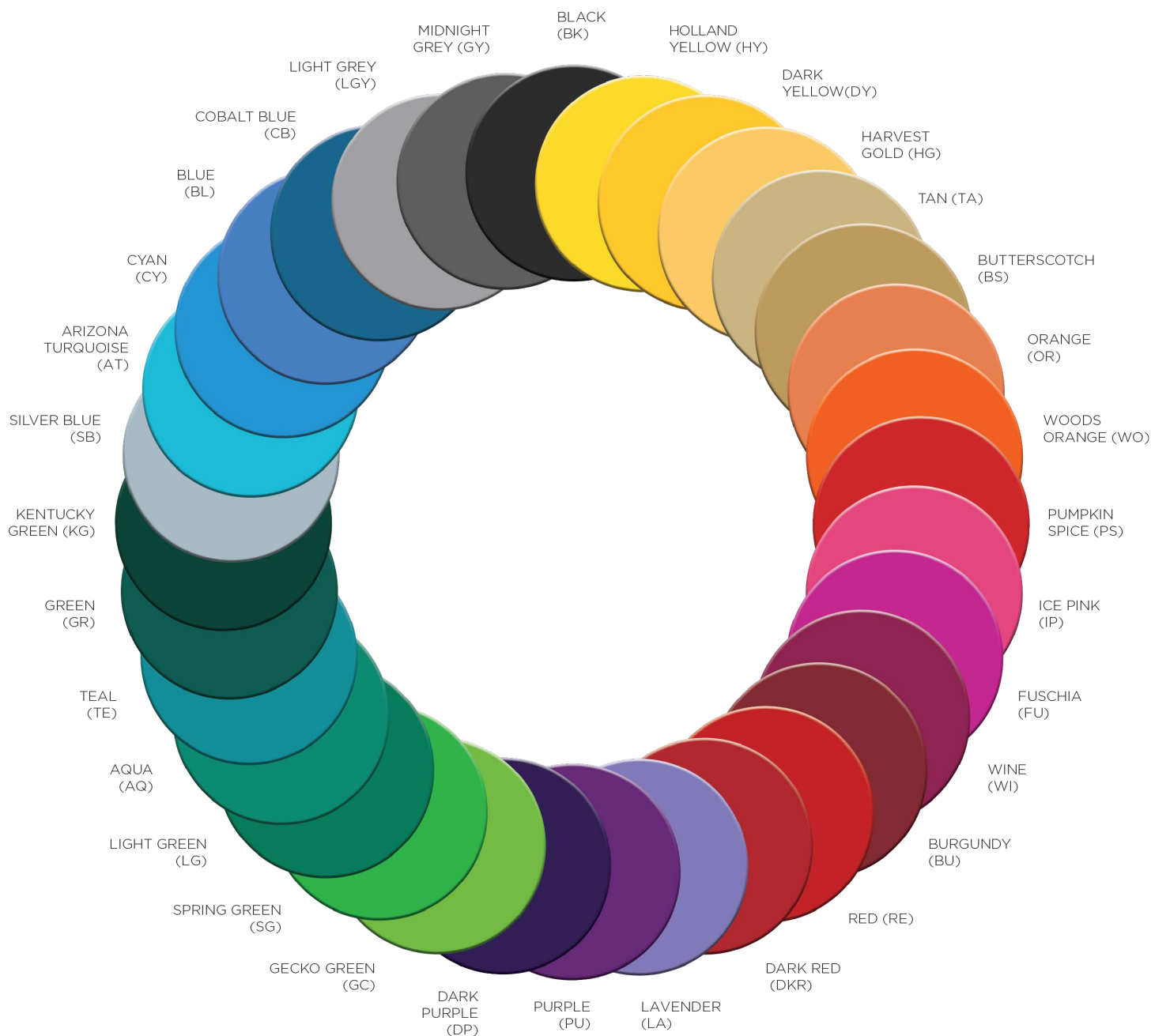
Standard Specification for Impact Attenuation of Surfacing Materials within the USE ZONE of the Playground Equipment



CANADIAN CAN/CSA-Z614-07

Children's Playspaces and Equipment

PLASTIC COLORS



Colours may vary from shown.

****NOTE:** Pumpkin Spice and Spring Green are not suitable for single wall parts.

OTHER COLORS

POST FOAM



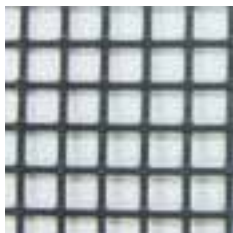
PIPE



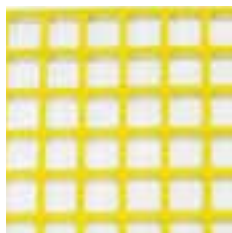
POLY STRIPS



PVC MESH



BLACK
PVC MESH



DARK YELLOW
PVC MESH

FLOORING



GREEN
FLOORING

CONTACT



SPI INDUSTRIES INC. - HEAD OFFICE

Box 100, RR 2
Shallow Lake, ON, Canada N0H 2K0
T 519-935-2211 TF 800-269-6533 E
dcad@spiplastics.com
W www.spiplastics.com
NORTH AMERICA & EUROPE

TERRITORY: MIDDLE EAST, AFRICA & SOUTH ASIA

KHALED BUDEIRI
Budeiri Building #1,
47 Suleiman Nubulsi Street, Abdali
P.O. Box 925885, Amman 11190 - Jordan
T +962 6 5601061 F +962 6 5679408
C +962 79 60 22883
E kbudeiri@artikidjo.com
W www.artikidjo.com

TERRITORY: QUEBEC, CANADA

MARC-ANDRE MARCIL
1808 Route Hardwood
Vaudreuil Dorion, QC, Canada J7V 8P2
P 450-424-0484 TF 877-424-0484
C 514-968-4143 E marlin@bellnet.ca
W www.multijeuxmarlin.com

TERRITORY: ASIA & OCEANIA

TAKAYUKI (YUKI) KONISHI
1112 West Pender Street, Suite 820,
Vancouver, BC, Canada V6C 2S1
P 604-681-9271 F 604-681-9241
C 778-558-9271 E konishi@axisplan.com
W www.axisplan.com

TERRITORY: LATIN AMERICA & CARIBBEAN

EDGAR NUCAMENDI
Calz. Rufino Tamayo No. 39, Int. 303 Col.
Pueblo Nuevo, C.P. 76040
Querétaro, México
P/F 52 442-225-4958 52 442-225-4959
C 521 442 252 3789
E enucamendi@spimexlatinoamerica.com
W www.spimexlatinoamerica.com

Park House OGIKUBO #314 3-6-15 Ogikubo,
Suginami-Ku, Tokyo 167-0051
T 080-3205-9586 E office@axisplan.com