

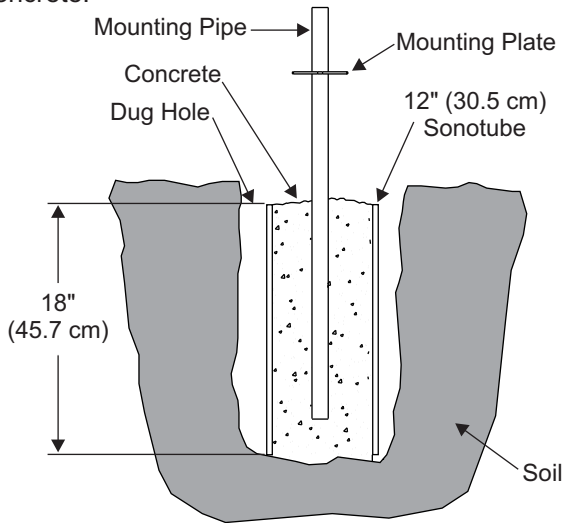
Stepping Stone

Supplied Parts: Stepping Stone

Additional Parts Required:
 Mounting Post/Plate
 (4) 3/8" x 1" Bolts & Washers

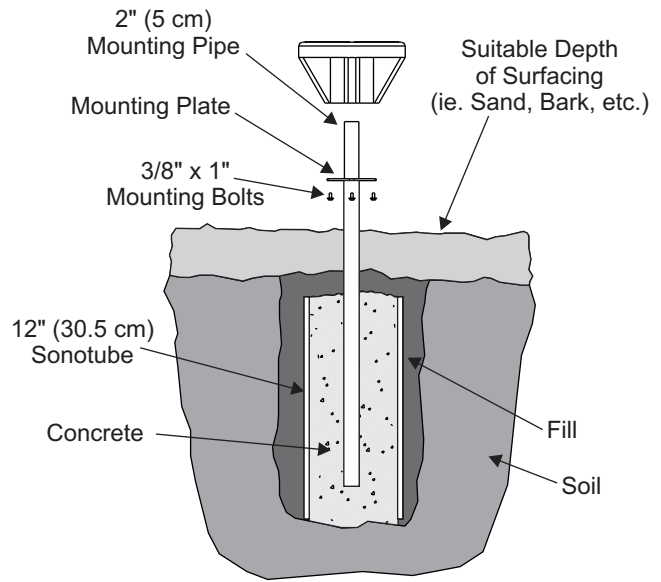
Step 1 —

Prepare a hole suitable for installing an 18" (45.7 cm) long piece of 12" (30.5 cm) Sonotube. Set the section of Sonotube into the hole and place fill around the Sonotube. Fill the Sonotube with concrete and set the 2" (5 cm) mounting pipe into the concrete.



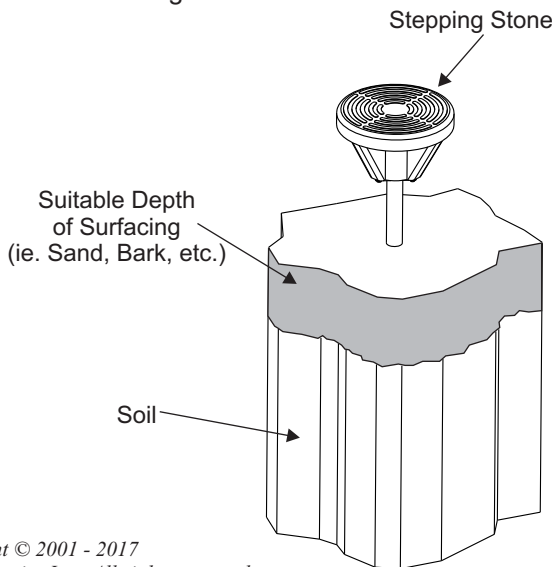
Step 2 —

When the concrete has set, place the Stepping Stone onto the 2" (5 cm) mounting pipe and secure to the mounting plate using 3/8" x 1" bolts.



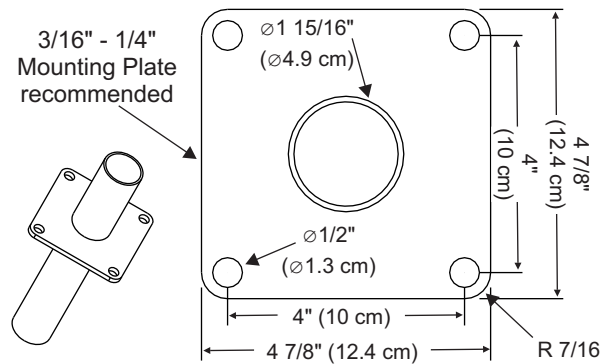
Step 3 —

Place a sufficient amount and type of surfacing around the Stepping Stone to ensure compliance with CSA/ASTM guidelines.

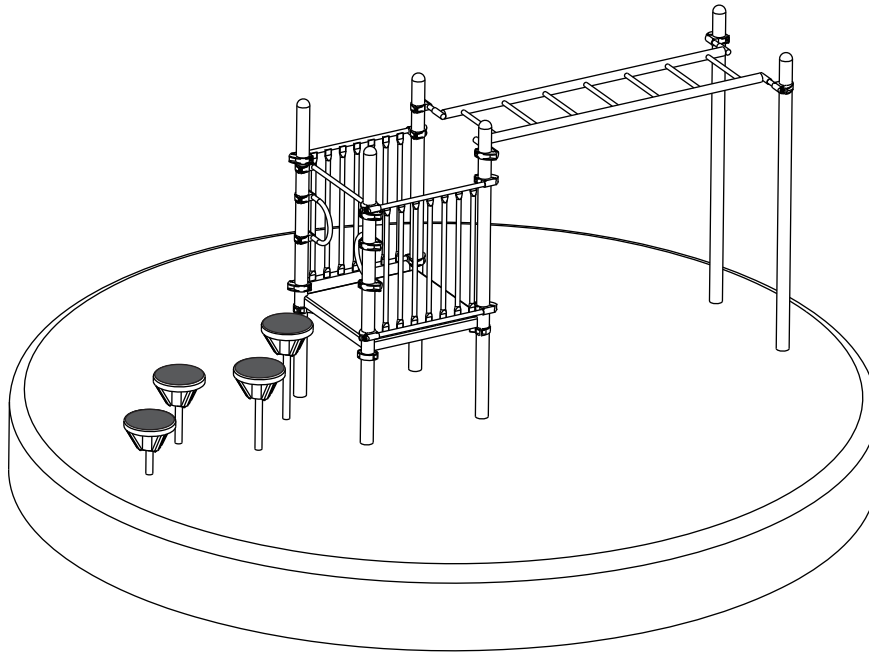


Mounting Plate Template —

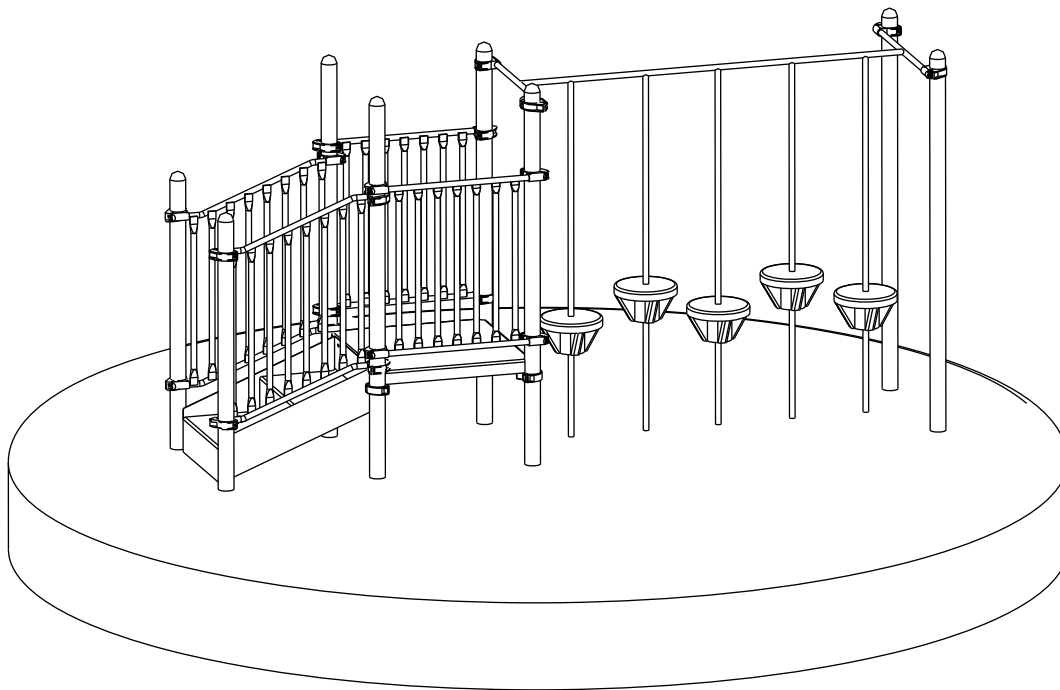
There is one off-centre molded-in insert on the foot of the Stepping Stone. To accommodate for the variances in the positioning of the threaded inserts on the base of the Stepping Stone, we recommend 1/2" clearance holes as shown.



Stepping Stone



Stepping Stone — Ground Steps



Stepping Stone — Suspended Steps