

# Fredrock Climber

## Supplied Parts: Fredrock Climber

### Additional Parts Required:

- (8) 3/8" Togglers,
- (4) 3/8" x 1 1/2" bolts,
- (4) 3/8" x (Y) bolts (Y = length of bolt needed to reach through deck face & Fredrock Climber),
- (8) 3/8" flat washers,
- (8) 3/8" lock washers.

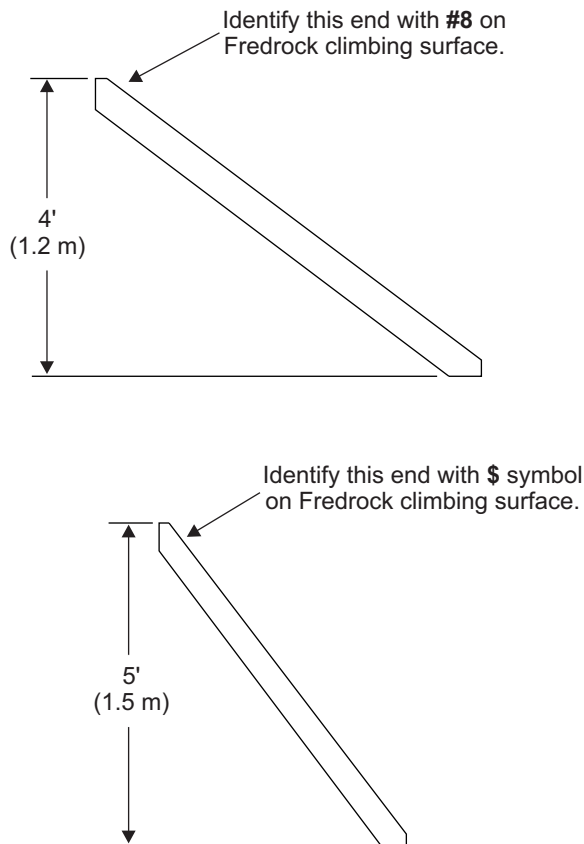
**Note:** The Fredrock Climber is designed to attach to either a 4' (1.2 m) or 5' (1.5 m) deck height. The two ends of the Fredrock Climber are at different angles to properly align to the two deck heights.

Make sure the proper end of the Fredrock Climber for the required deck height, is attached to the deck face to ensure proper face alignment and no string entanglement areas.

### Step 1 —

Align the correct end of the Fredrock Climber, for the intended deck height, to the deck. **Figure 1.**

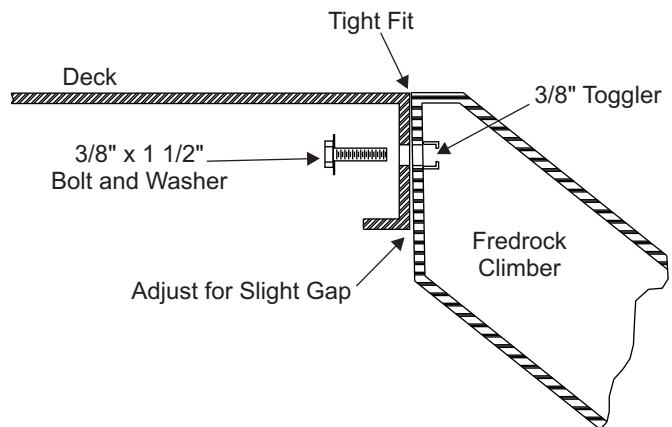
**Figure 1 — Side Views**



### Step 2 —

Mark and drill 5/8" holes in the deck face of the Fredrock Climber. Install 3/8" Togglers as shown in **Figure 2.**

**Figure 2 — Cut-Away Side View**

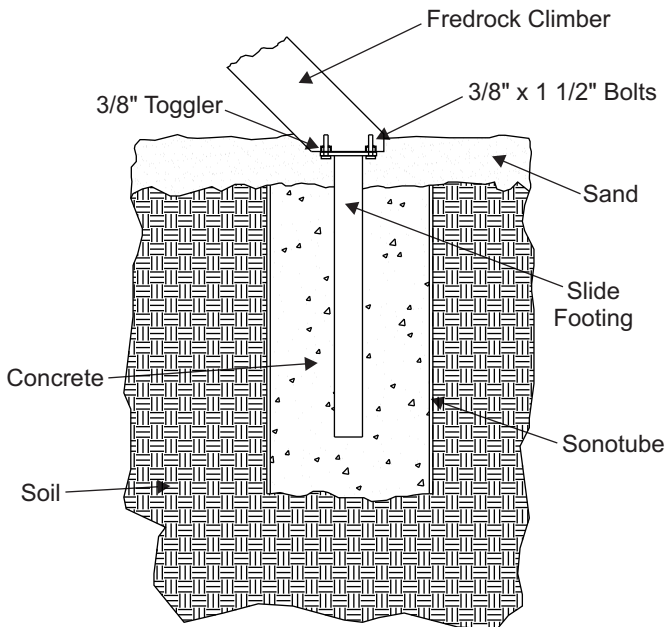


# Fredrock Climber

## Step 3 —

With the Fredrock Climber temporarily installed, measure and mark the location and height for the slide foot. Remove the Fredrock Climber, prepare a slide footing hole, set the slide footing in concrete at least 18" (45.7 cm) deep. Allow 24 hours to cure. Mark and drill 5/8" holes in the foot of the Fredrock Climber and install 3/8" Toggles. See **Figure 3**.

**Figure 3 — Cut-Away View**



## Step 4 —

Place the Fredrock Climber in position and using appropriate 3/8" bolt lengths, secure the Fredrock Climber to the deck face as in **Figure 4** then to the slide footing as in **Figure 3**.

**Figure 4 — Top View**

\* The face of the Fredrock Climber is slightly bowed to ensure the outside edges make tight contact with the deck. Tighten center bolts first.

