

Adventure Table

The Adventure Table is a durable, heavy duty, one piece, polyethylene component. This table allows children to have an adventure anywhere! Available in all colours.

Supplied Part: Adventure Table

Suggested Parts*: (4) each of 1/4" Button Head Bolts and 1/4" Flat Washers, (4) Hollow Anchors, (4) "L" Brackets

*Parts must be provided by the installer but can also be purchased from SPI Industries.

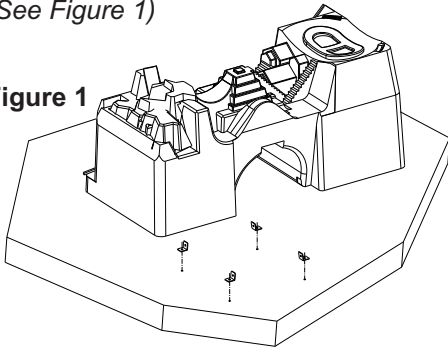
Installation Steps:

Step 1

Place the *Adventure Table* in position and mark the location for the "L" Brackets. Drill holes sized appropriately for the selected anchors.

(See Figure 1)

Figure 1

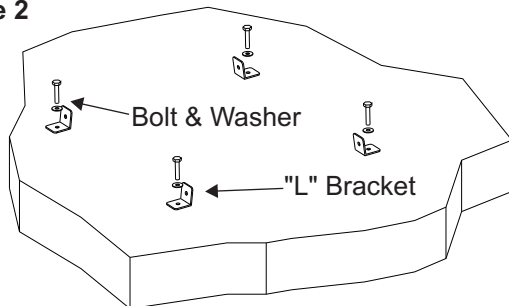


Step 2

Using appropriate *Bolts and Washers*, secure the "L" Brackets to the floor.

(See Figure 2)

Figure 2

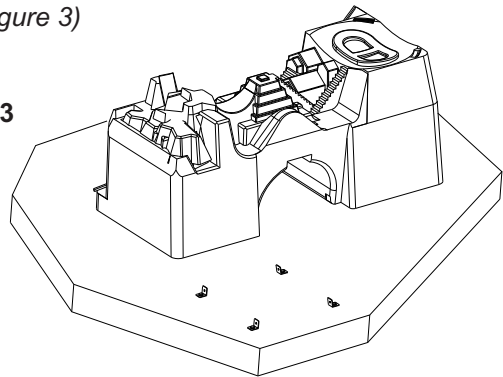


Step 3

Lift the *Adventure Table* into position on the "L" Brackets.

(See Figure 3)

Figure 3



Step 4

Installed Adventure Table

(See Figure 4)

Figure 4

