

INSTALLATION PROCEDURE

1. Dig hole for footing with center 3" off face of platform/structure.
2. Place temporary blocking under slide with entrance and runout at desired height. Making sure that the center column is vertical.

NOTE: step 3 will loosen internal steel support column.....USE CAUTION!

3. Loosen (do not remove) 2 bolts through 2X6 shipping brace and 2 set screws (underside of slide support plate)

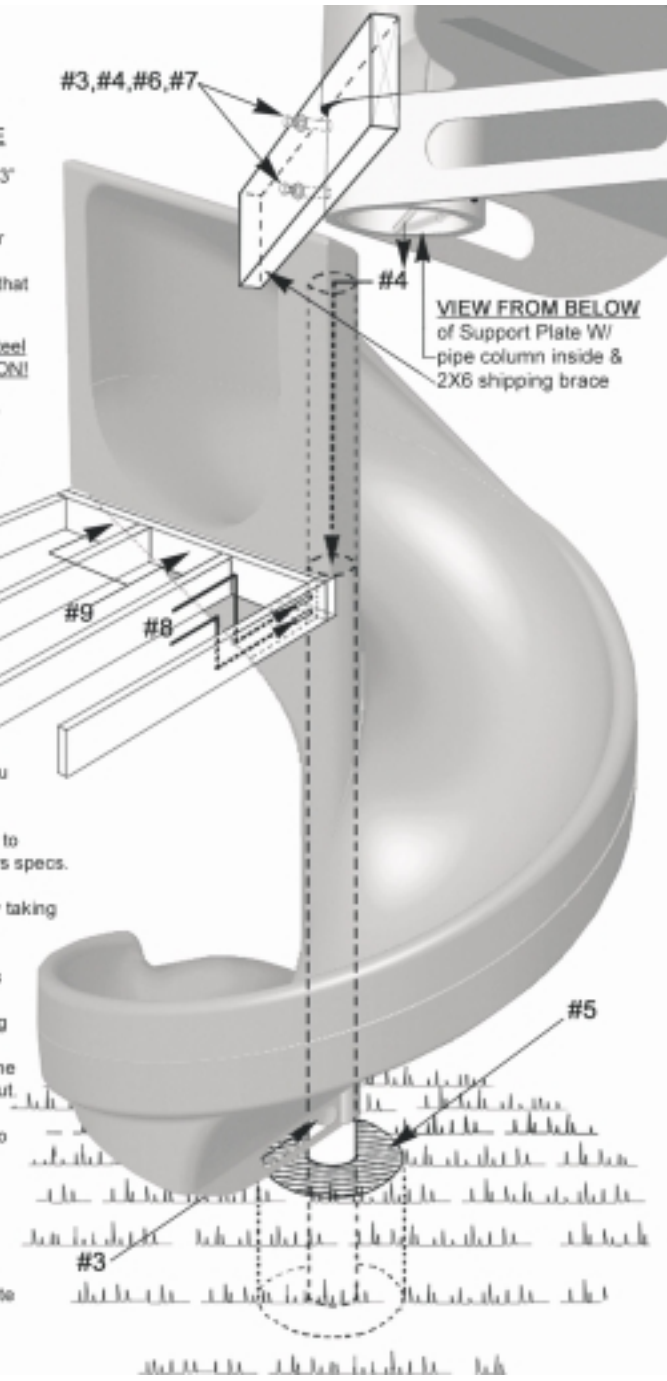
4. Lower pipe column 31.5" into footing hole and retighten the 2 bolts and 2 set screws you loosened in step #3.
5. Pour footing material and allow to cure according to manufacturers specs.

6. Remove 2X6 shipping brace by taking out 2 bolts loosened in step #3
7. Replace bolts with 2 set screws provided.

NOTE: the 4 setscrews now holding the support plate to the pipe column can be used to adjust the elevation and slope of the runout.

8. Anchor your deck or structure to the slide by drilling through the slide and into the pipe column inside.

9. Place additional anchors as required to draw slide against your deck and rails and eliminate improper gaps.



SPI Industries Inc.
 Tel: 800-269-6533
 Fax: 519-935-2174

6' Spiral Slide with Hood & Post
Part #: SS6,HP

Email: spi@spioplastics.com
 Web: www.spioplastics.com

Slide into FUN!!