

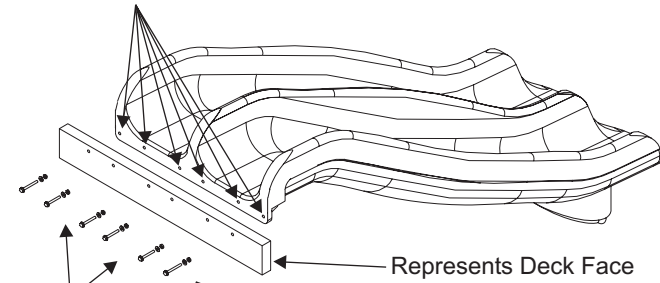
4' Deck Triple Rail Wave Slide

Supplied Parts: 4' Deck Triple Rail Wave Slide

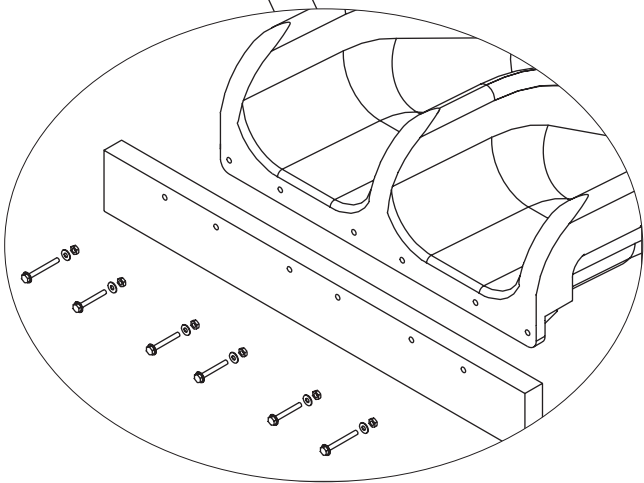
Additional Parts Required: Hardware to be provided by the installer.

Attaching Slide to Deck Face

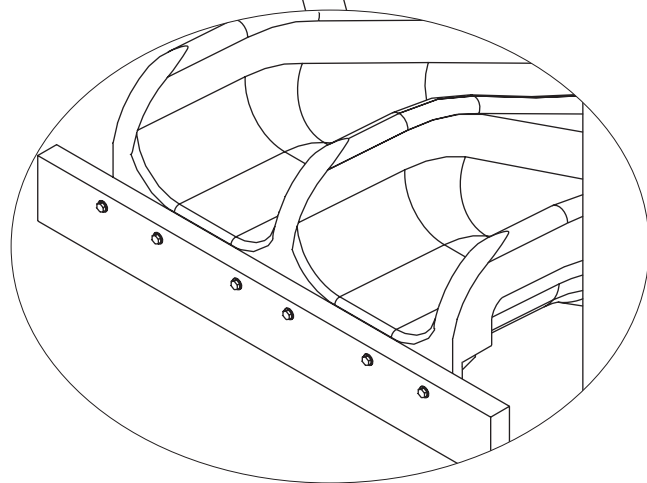
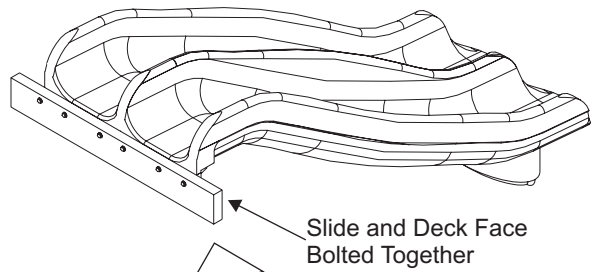
1/2" holes drilled through to the underside recesses



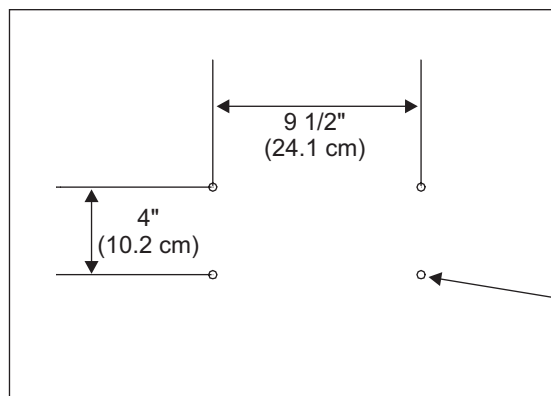
3/8" Bolts, Washers, Lock Washers and Nuts



Slide Attached to Deck Face



Footing Bolt Hole Pattern



3/8" Treaded Inserts

Created: May 30, 2000



SPI Industries Inc., Shallow Lake, Ontario N0H 2K0

Tel: (519)935-2211 or (800)269-6533 Fax: (519)935-2174
Email: spi@spioplastics.com Internet: www.spioplastics.com

Installation Instructions