

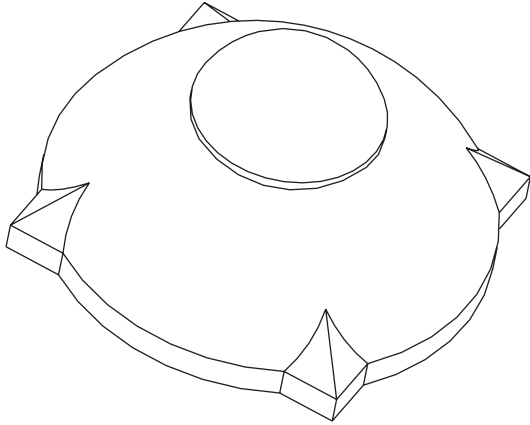
Dome Roof

Supplied Parts: Dome Roof

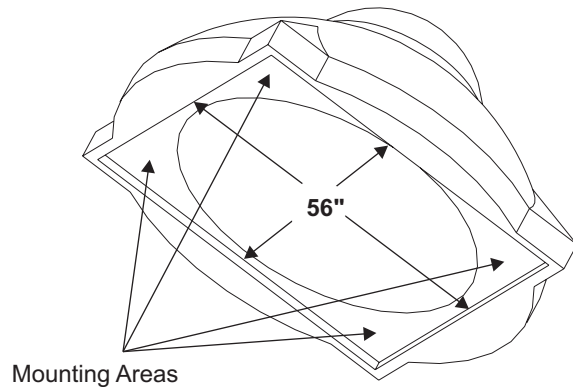
Additional Parts Required: As needed depending on installation.

Suggested Mounting of the Dome Roof —

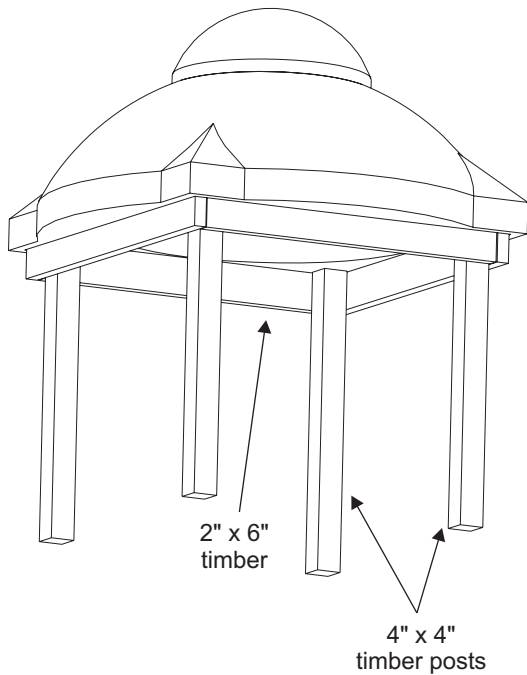
Note: These illustrations are for example only.



Dome Roof — Top View

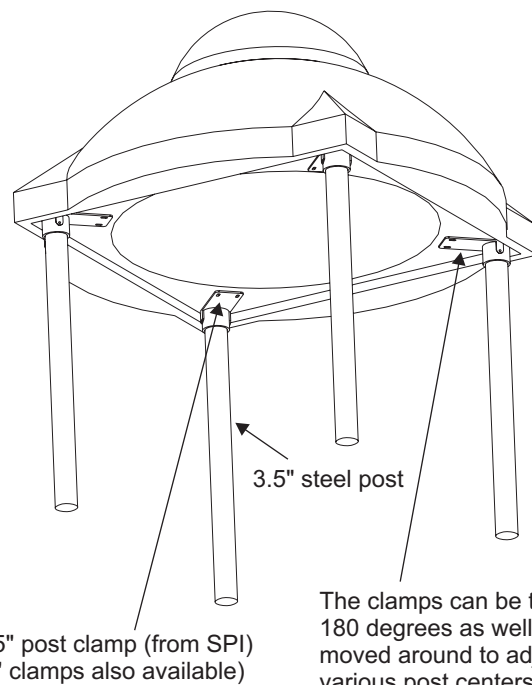


Dome Roof — Bottom View
showing mounting areas



2" x 6"
timber

4" x 4"
timber posts



3.5" steel post

3.5" post clamp (from SPI)
(5" clamps also available)

The clamps can be turned
180 degrees as well as
moved around to adjust to
various post centers

