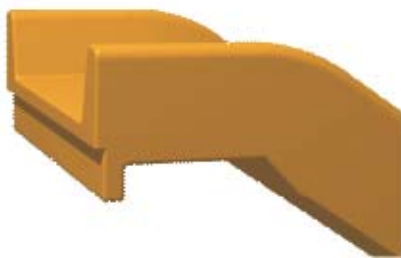
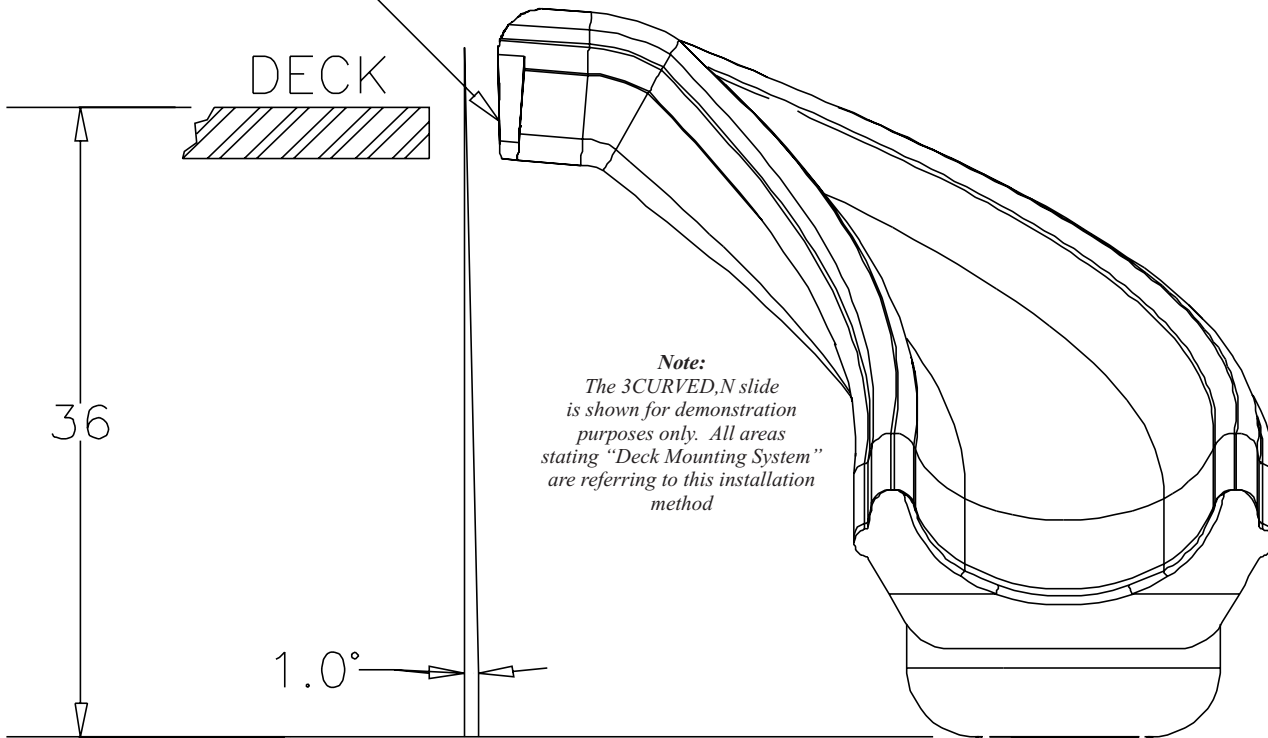
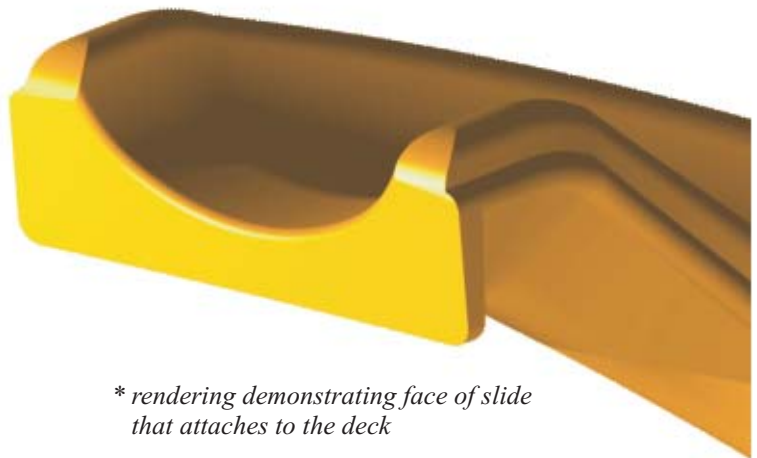


You will notice with many of our slides we refer to a **Deck Mounting System**. Below we have shown line drawings to demonstrate this system.

The face of the slide has a 1° draft to ensure the top of the slide face contacts the face of the deck first. When the hardware is installed the top of the slide face is pulled tightly against the face of the deck.

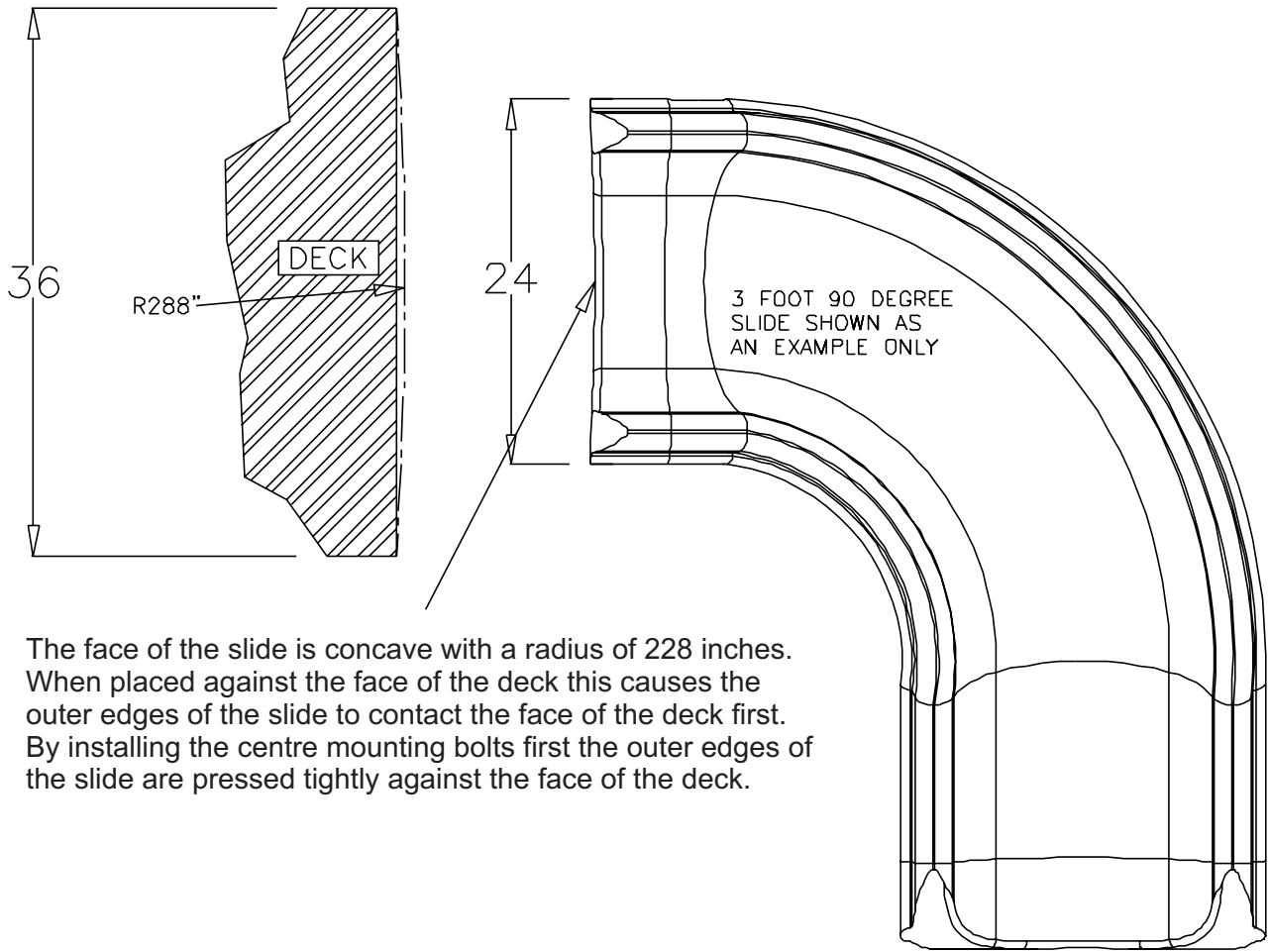


*\* rendering demonstrating face of slide that attaches to the deck for DWFS (Double Wall Flat Slide) mounting*



*\* rendering demonstrating face of slide that attaches to the deck*





The face of the slide is concave with a radius of 228 inches. When placed against the face of the deck this causes the outer edges of the slide to contact the face of the deck first. By installing the centre mounting bolts first the outer edges of the slide are pressed tightly against the face of the deck.



*\* rendering demonstrating underside of slide face, showing the bolt through attachment areas*



*\* rendering demonstrating underside of slide face, showing the bolt through attachment areas for DWFS (Double Wall Flat Slide)*

