

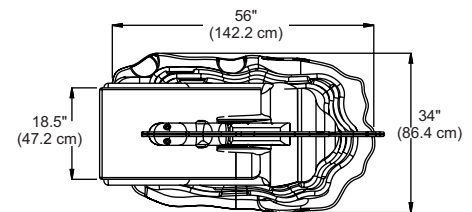
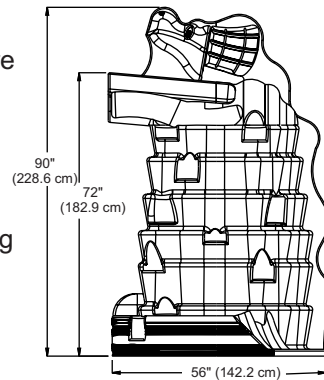
Dino-Mite™ Climber



Description	Part #	Dimensions	Weight
Dino-Mite™ Climber	DINO6	62" l x 34" w x 90" h (157.5 cm x 86.4 cm x 228.6 cm)	175 lbs. (79.4 kg)

Dimensions and weights are approximate. Prices subject to change without notice.

- Can be used for 5' and 6' deck installations
- No secondary components required
- Variety of step profiles for climbing
- Both sides of the Dino-Mite™ Climber are different allowing for added interest and face-to-face installs
- Molded in handrails
- Multiple climbing methods
- Challenging for children of all ages
- Eye appealing and playground enhancing
- Realistic dinosaur appearance; great textures
- A play innovation with fun yet realistic qualities
- Easy one-piece installation



Specifications

Complies with:
CAN/CSA-Z614-03; ASTM

Available Colours:
All

Polyethylene Density:
Medium

Packaging:
Bagged in plastic on a skid
- skid and part weight
200 lbs. (90.7 kg)

Approx. Cubic Size Packaged:
136.3 cubic feet

Copyright © 2011. SPI Industries Inc.
All rights reserved. Printed in Canada

800-269-6533

www.spiplastics.com **SPi COMPONENTS**



Climbers

