



TIMEDGE



TIMEDGE,C



TIMEDGE,2



HW,PEG



Description	Part #	Dimensions	Weight
Timber Edge — Recycled Black Resin	TIMEDGE,BK	78" l x 12" h x 5 1/2" w (198 cm x 30.5 cm x 14 cm)	25 lbs. (11.3 kg)
Timber Edge (Curved) — (any colour)	TIMEDGE,C	62" l x 12" h x 5 1/2" w (157.5 cm x 30.5 cm x 14 cm)	18 lbs. (8.2 kg)
2' Timber Edge — Recycled Black Resin	TIMEDGE,2	installed part — 24" l x 12" h x 5 1/2" w (61 cm x 30.5 cm x 14 cm) actual length of part — 29" (73.7 cm)	10 lbs. (4.5 kg)
Timber Peg	HW,PEG	29" l x 3/4" diameter (73.7 cm x 1.9 cm)	4 lbs. (1.8 kg)

Dimensions and weights are approximate. Prices subject to change without notice.

- Pegs can be recessed below the top of the Timber for a clean, sleek look
- **NO discounts** apply to orders of Timber Edge Components
- Timbers and Timber Peg orders are applicable to 5% net 30 day terms

Specifications

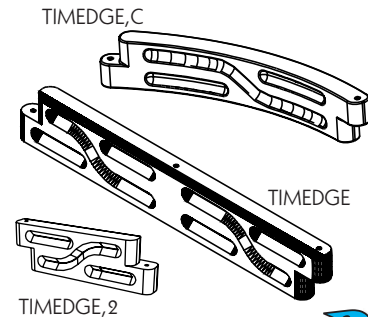
Complies with:
CAN/CSA-Z614-03; ASTM

Available Colours:
All. Stock Colour - Black

Polyethylene Density:
Medium

Packaging:
Bagged in plastic

Approx. Cubic Size Packaged:
TIMEDGE BK - 3.0 cubic feet
TIMEDGE - 3.0 cubic feet
TIMEDGE,C - 5.0 cubic feet
TIMEDGE,2 - 1.2 cubic feet



Accessories

