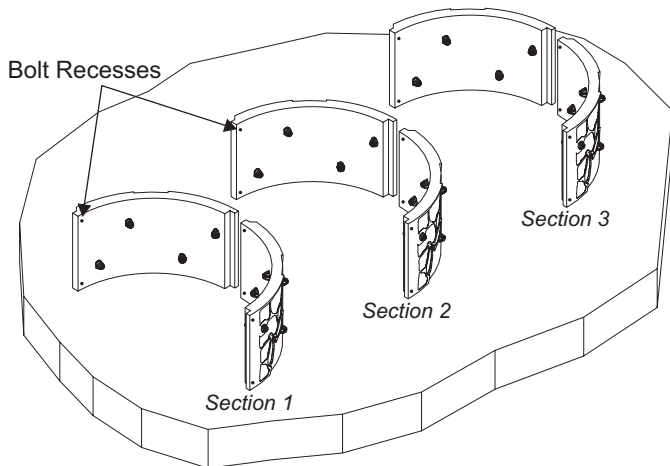


# Bedrock Climber — Troll's Hideaway

**Parts Required:** Refer to Suggested Parts List on last page. Hardware & Pipe may be provided by the installer or is available from SPI Industries.

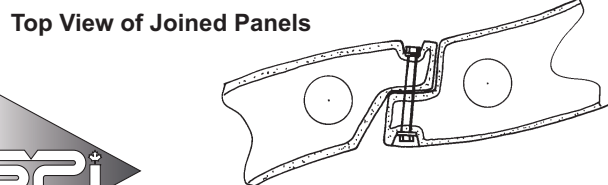
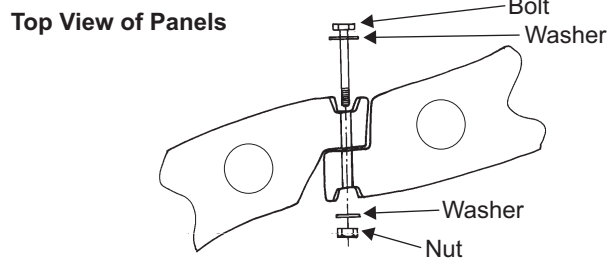
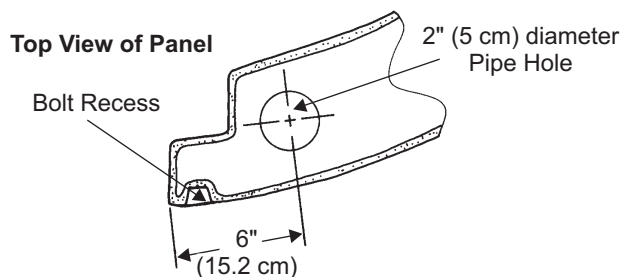
## Step 1 —

Align the *Panels* on the ground as shown below.



Drill 1/2" (1.2 cm) holes through all *Bolt Recesses*.

Bolt the *Panels* together using 5" long by 3/8" bolts with a washer under each bolt head and nut.



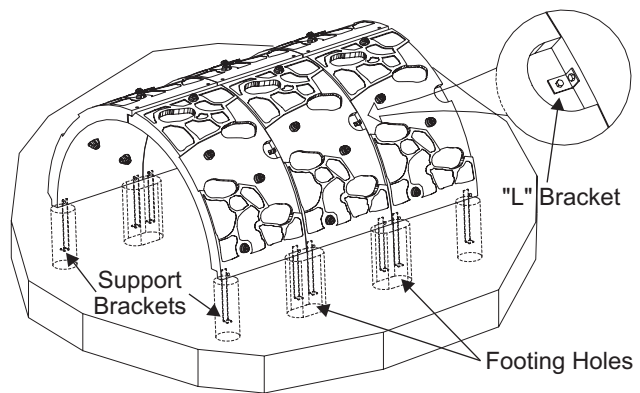
## Step 2 —

Form a tunnel with the joined *Panels*.

Mark and dig *Footing Holes* suitable for a minimum depth of 18" (45.7 cm) of concrete.

Attach the *Support Brackets* to the edge of the assembled *Panels* and set the *Panels* in position in the *Footing Holes*.

Bolt the "*L*" *Brackets* to the *Panels* ensuring the assembled *Panels* butt tightly together.

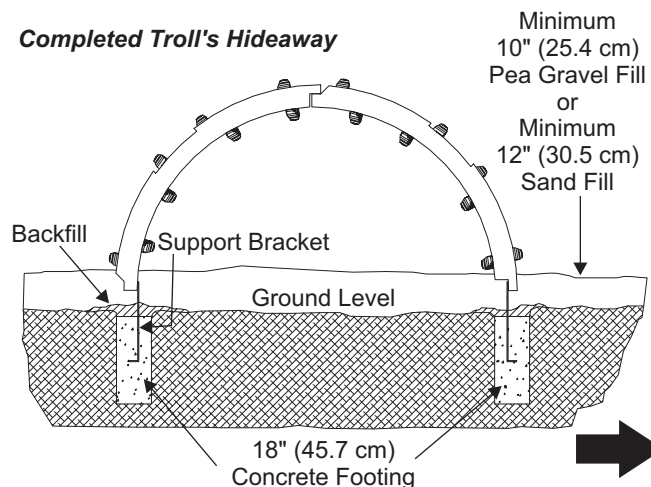


## Step 3 —

Pour concrete to a minimum depth of 18" (45.7 cm).

Backfill all holes and place a minimum depth of 10" (25.4 cm) pea gravel fill or 12" (30.5 cm) of sand fill around the Troll's Hideaway to a distance of 6' (1.8 m) from the structure.

### Completed Troll's Hideaway



Installation Instructions



SPI Industries Inc., Shallow Lake, Ontario N0H 2K0

Tel: (519)935-2211 or (800)269-6533 Fax: (519)935-2174  
 Email: spi@spioplastics.com Internet: www.spioplastics.com

# Bedrock Climber — Troll's Hideaway

**Note:** The base of the structure must have a recommended minimum depth of 10" (25.4 cm) of Pea Gravel or 12" (30.5 cm) of Sand as a "loose fill". This base should extend 6' (1.8 m) past the structure in all directions. This will create a safety area to ensure the safe use of the Bedrock Climber. The Bedrock Climber complies with Canadian CSA Standards (CAN/CSA-Z614-98) as well as American ASTM Standards (ASTM-F-1292).

**Note:** These recommended minimum depths are to be used in all Bedrock Climber Installations.

## Suggested Parts List

<i>Quantity</i>	<i>Part</i>	<i>Description</i>
6	BRC	Bedrock Climber Panel
6	HW-MISC	Hardware: 5" x 3/8" Bolts, 3/8" Nuts, 2 of 3/8" Washers
8	HW-MISC	Hardware: 1 1/4" x 1/4" -20 Button Head Bolts
8	HW-TOGGLE	1/4" -20 Toggle

**Note:** The Footing Support Brackets used to secure the Bedrock Climber — Troll's Hideaway MUST be supplied by the installer. All other hardware may be provided by the installer or is available from SPI Industries.

