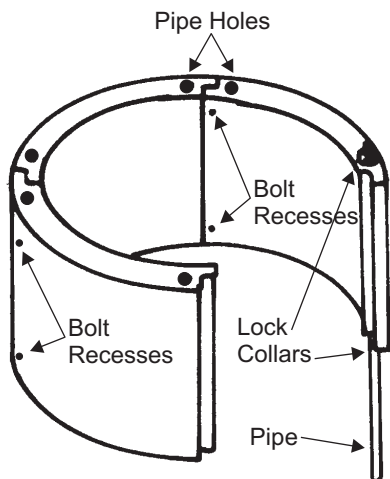


Bedrock Climber — Toddler Castle

Parts Required: Refer to Suggested Parts List on last page. Hardware & Pipe may be provided by the installer or is available from SPI Industries.

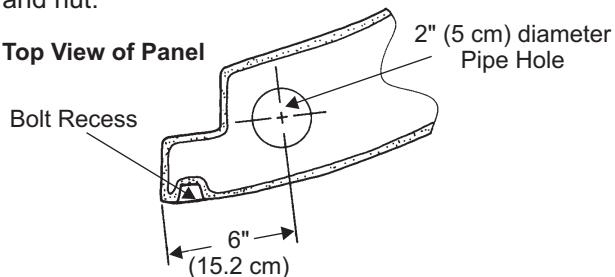
Step 1 —

Align the *Panels* on the ground as shown below.

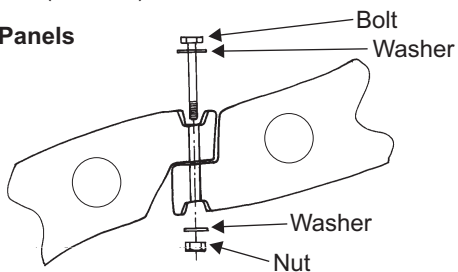


Drill 1/2" (1.2 cm) holes through all *Bolt Recesses*. Drill 2" (5 cm) *Pipe Holes* 6" (15.2 cm) from each end through the top and bottom of each *Panel*. Temporarily bolt the *Panels* together using 5" long by 3/8" bolts with a washer under each bolt head and nut.

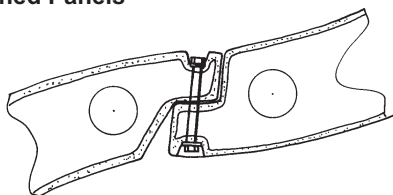
Top View of Panel



Top View of Panels



Top View of Joined Panels

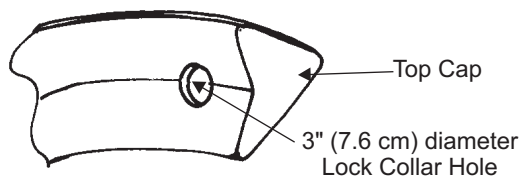


Step 1 — Continued

Slide the pipes through the 2" *Pipe Holes* leaving 2" (5 cm) protruding from the top of the *Panel*. Install the *Lock Collars* on the tops and bottoms of pipes.

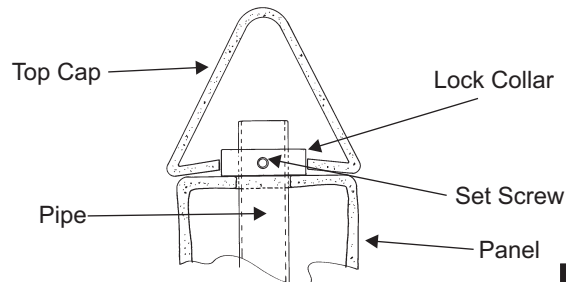
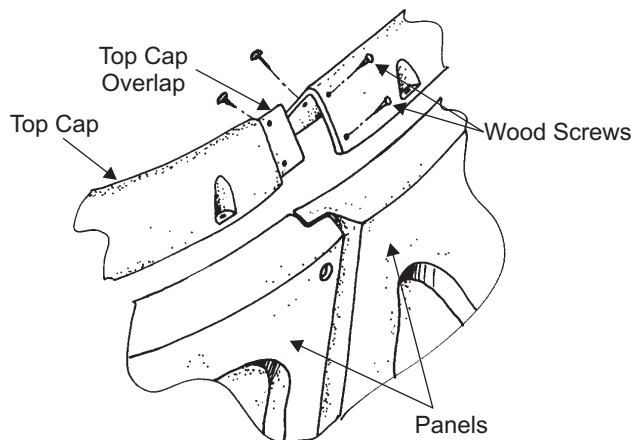
Step 2 —

Position the *Top Caps* on the *Panels* and mark the locations for the 3" (7.6 cm) *Lock Collar Holes*. Use a 3" (7.6 cm) diameter hole saw to drill *Lock Collar Holes* through bottom of *Top Caps*.



Step 3 —

Re-position *Top Caps* over *Lock Collars*. Cut out the end of adjoining *Top Caps* to permit overlapping. Loosely install *Wood Screws* into the *Top Cap Overlap*. Do not screw tight at this point.



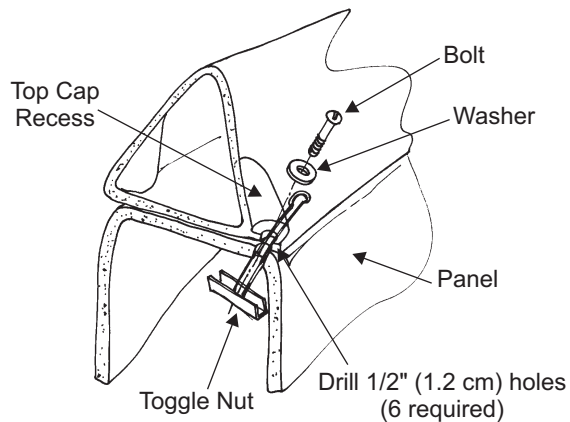
Installation Instructions



Bedrock Climber — Toddler Castle

Step 4 —

Drill 1/2" (1.2 cm) diameter holes through *Top Cap Recesses* and *Panels*. Using 1/4" *Toggle Nuts* and *Bolts*, secure *Top Caps* to *Wall Panels*. Fasten *Top Cap Overlaps* with *Wood Screws*.



Step 5 —

After ensuring everything is fitting snugly, tighten all fasteners. Using the assembled Toddler Castle, mark the footing locations. Dig the footing holes suitable for a minimum depth of 18" (45.7 cm) of concrete.

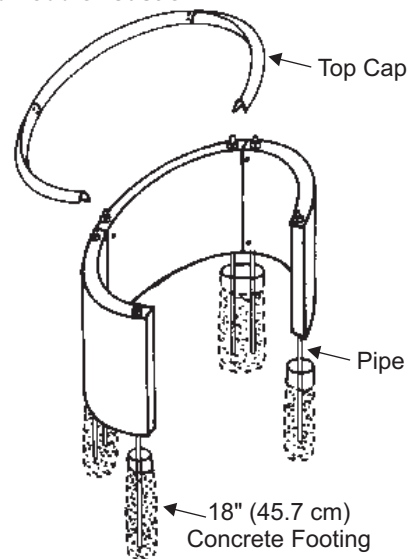
Set the Toddler Castle into footing holes and level the structure.

Pour concrete to a minimum depth of 18" (45.7 cm).

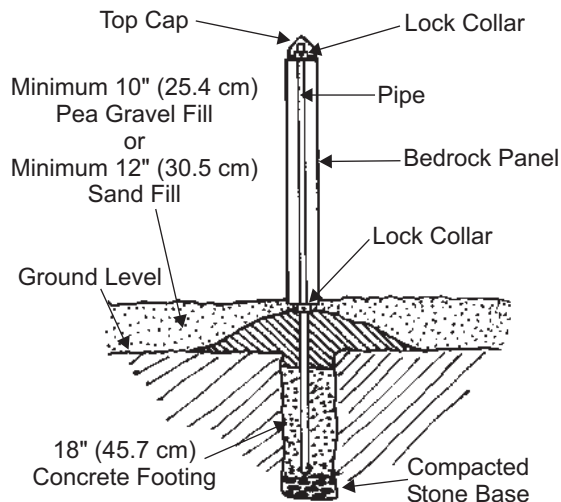
Note: Footings may vary depending on depth and soil conditions.

Backfill all holes and place a minimum depth of 10" (25.4 cm) of pea gravel fill or 12" (30.5 cm) of sand fill around the Toddler Castle to a distance of 6' (1.8 m) from the castle.

Completed Toddler Castle



Cut-Away View



Note: The base of the structure must have a recommended minimum depth of 10" (25.4 cm) of Pea Gravel or 12" (30.5 cm) of Sand as a "loose fill". This base should extend 6' (1.8 m) past the structure in all directions. This will create a safety area to ensure the safe use of the Bedrock Climber. The Bedrock Climber complies with Canadian CSA Standards (CAN/CSA-Z614-98) as well as American ASTM Standards (ASTM-F-1292).

Note: These recommended minimum depths are to be used in all Bedrock Climber Installations.

Installation Instructions



SPI Industries Inc., Shallow Lake, Ontario N0H 2K0

Tel: (519)935-2211 or (800)269-6533 Fax: (519)935-2174
Email: spi@spioplastics.com Internet: www.spioplastics.com

Bedrock Climber — Toddler Castle

Suggested Parts List

<i>Quantity</i>	<i>Part</i>	<i>Description</i>
3	BRC	Bedrock Climber Panel
3	BRC-CAP	Bedrock Climber Cap
12	HW-75-8	Locking Collar
18	HW-T2P	Hardware: 1/4" -20 Toggle Nuts, 1 1/2" x 1/4" -20 Bolts, 1/4" Flat Washers
8	HW-MISC	#10 x 1 1/2" Wood Screws
4	HW-MISC	Hardware: 5" x 3/8" Bolts, 3/8" Nuts, 2 of 3/8" Washers
6	PIPE	7 foot length 1.9" o.d. Galvanized Pipe

Installation Instructions



SPI Industries Inc., Shallow Lake, Ontario N0H 2K0

Created: March 8, 2000

Tel: (519)935-2211 or (800)269-6533 **Fax:** (519)935-2174
Email: spi@spioplastics.com **Internet:** www.spioplastics.com