

# Elephant Riding Animal

**Supplied Parts:** Elephant Riding Animal

**Additional Parts Required:**

Spring Assembly (2 springs with spring mounting plate and assembly hardware),  
(8) 10" "L" bolts, (8) 3/8" x 1" bolts, flat washers and lock washers.

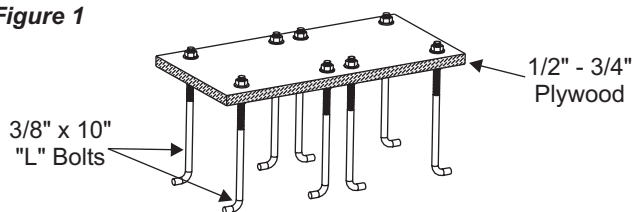
(Can be purchased from SPI Industries as Spring Hardware Kit for Elephant Riding Animal)

**Step 1 —**

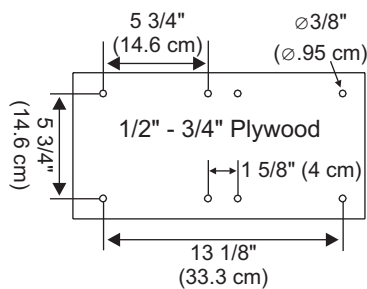
Prepare a hole (minimum 18" (45.7 cm) deep) suitable for securing 8 "L" bolts in cement, utilizing a wooden jig as shown in **Figures 1, 2 and 3.**

Make sure at least 3" (7.6 cm) of the "L" bolts extend out of the cement. Allow the cement to cure for 24 hours before proceeding to attach the Spring Assembly.

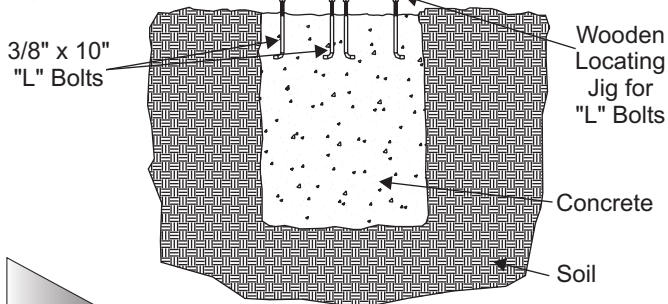
**Figure 1**



**Figure 2**



**Figure 3**



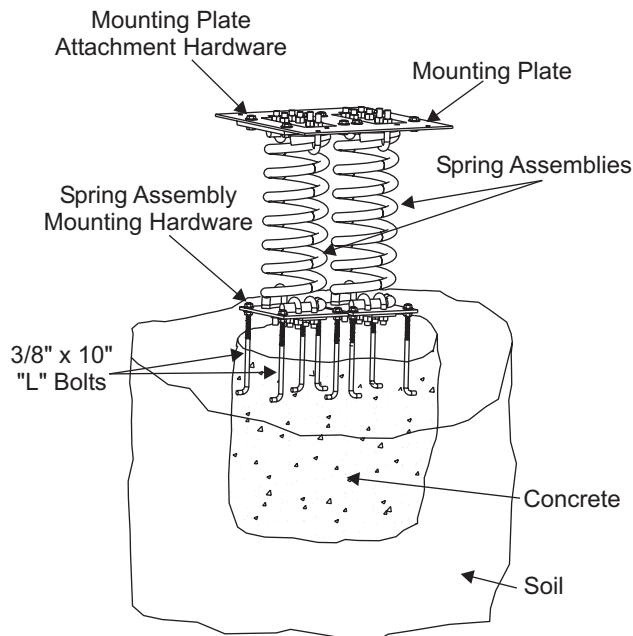
**Step 2 —**

Attach the Spring Assembly to the "L" bolts (**Figure 4**).

Using the nuts and washers on the "L" bolts, adjust the Spring Assembly so the Mounting Plate is level.

Cut off any protruding portion of the "L" bolts.

**Figure 4**



Installation Instructions

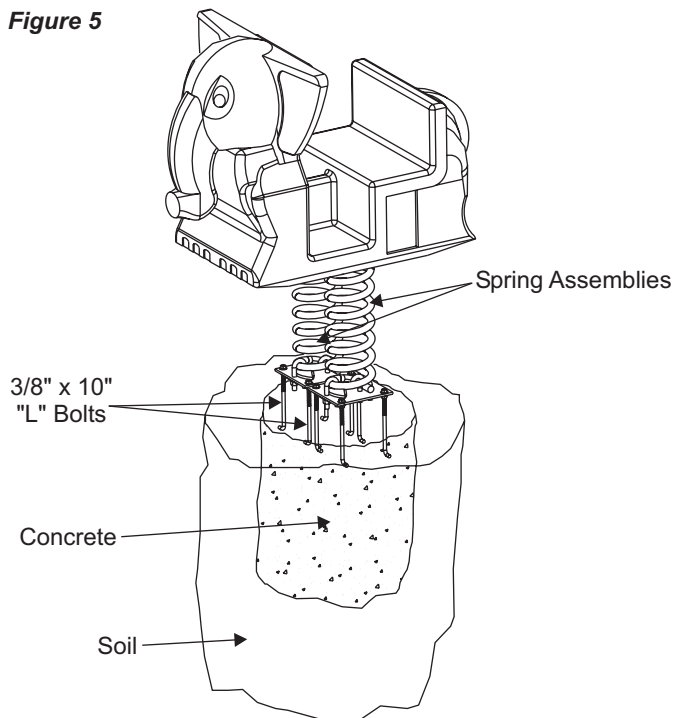


# Elephant Riding Animal

## Step 3 —

Position the Elephant Riding Animal on the Mounting Plate and secure it with (8) 3/8" x 1" bolts and washers as in **Figure 5**.

**Figure 5**



## Step 4 —

Place sufficient surfacing 6" - 9" (15 cm - 23 cm) around the Elephant Riding Animal to comply with CSA/ASTM guidelines and to cover the bottom portion of the Spring Assembly. See **Figure 6**.

**Figure 6**

