

Frog and Wally the Whale Riding Animals

Supplied Parts: Riding Animal, Spring Assembly, four 5/16" x 3/4" Hex Head Bolts with internal Lock Washers

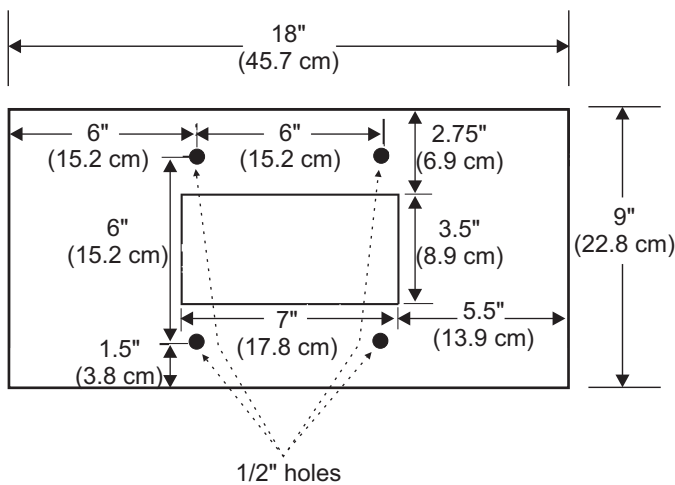
Additional Parts Required: Refer to Suggested Parts List on last page. Hardware must be provided by the installer.

Step 1 —

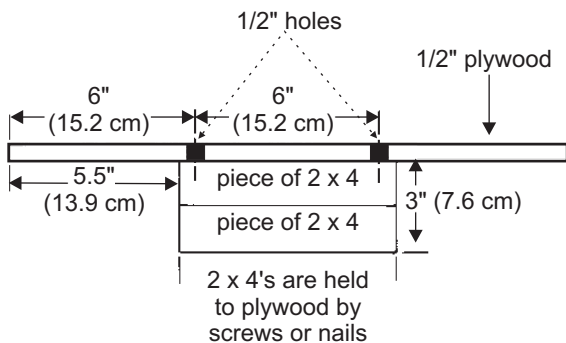
Make a *Wooden Jig* to ensure proper fit and clearances of Spring Mounting Plate.

Wooden Jig Dimensions —

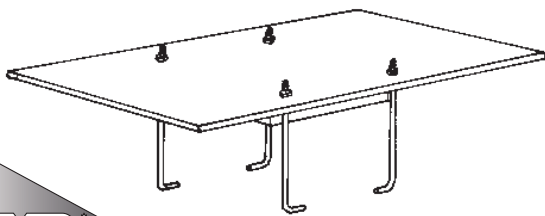
Top View



Side View



Wooden Jig with "J" Bolts Installed



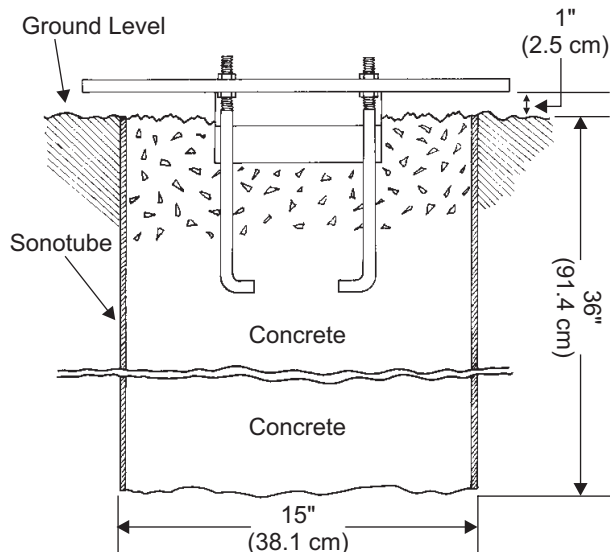
Step 2 —

Dig a hole suitable for a 36" (91.4 cm) long piece of 15" (38.1 cm) diameter *Sonotube* and place the *Sonotube* in the hole.

Fill the hole with concrete flush to ground level and press the *Wooden Jig* into the cement leaving a 1" (2.5 cm) gap between the underside of the jig and ground level.

Allow 24 hours for the concrete to set and dry.

Note: If using existing concrete footing, drill appropriate holes into the concrete and hammer in the bolt anchors. Drill or chisel a 7" long x 4" wide by 2" deep hole for bottom bolt clearances. Mount and level the *Spring Assembly* then proceed to Step 4. Be sure to check with the appropriate authorities before digging the hole.



Installation Instructions



SPI Industries Inc., Shallow Lake, Ontario N0H 2K0

Tel: (519)935-2211 or (800)269-6533 Fax: (519)935-2174
 Email: spi@spioplastics.com Internet: www.spioplastics.com

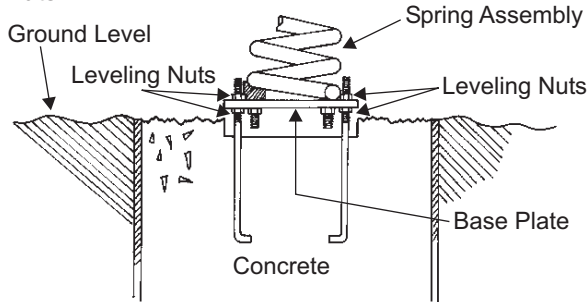


Frog and Wally the Whale Riding Animals

Step 3 —

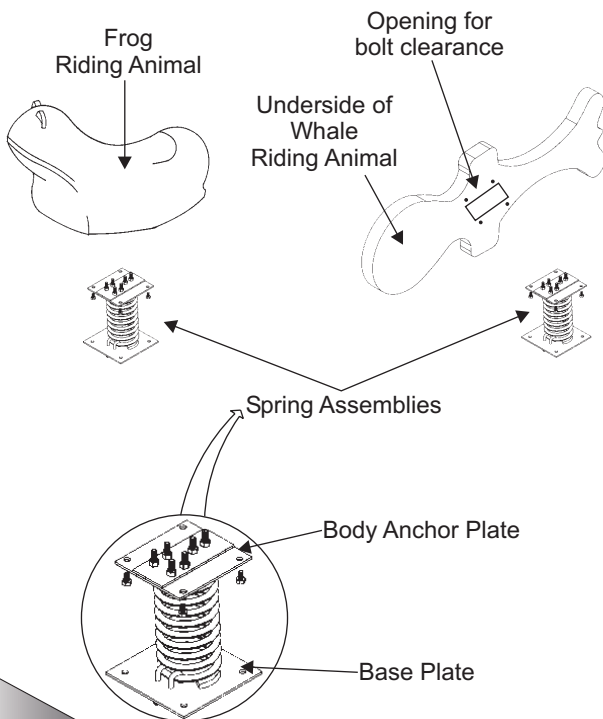
After 24 hours, remove the *Wooden Jig* from the "J" Bolts and attach the *Base Plate* of the *Spring Assembly* to the "J" Bolts.

Ensure the *Base Plate* is level by adjusting the *Leveling Nuts* on the "J" Bolts. Securely tighten the nuts.



Step 4 —

Attach the *Riding Animal* to the *Body Anchor Plate* of the *Spring Assembly* using the supplied 5/16" x 3/4" Hex Head Bolts. Ensure all bolts are securely fastened.



Step 5 —

Perform a final inspection ensuring that all bolts and nuts are firmly tightened and everything has been properly assembled.

Place protective surfacing (ie: sand) around the base of the *Spring Assembly* to a depth of at least 8" (20.3 cm).

Suggested Parts List — Riding Animals (If pouring new concrete footing)

Quantity Part

4	1/2" x 10"- "J" Bolts
8	1/2" Hex Head Nuts
4	1/2" Lock Washers

(If using existing concrete footing)

Quantity Part

4	1/2" x 3" Anchors
8	1/2" x 2 1/2" Hex Head Bolts
4	1/2" Lock Washers