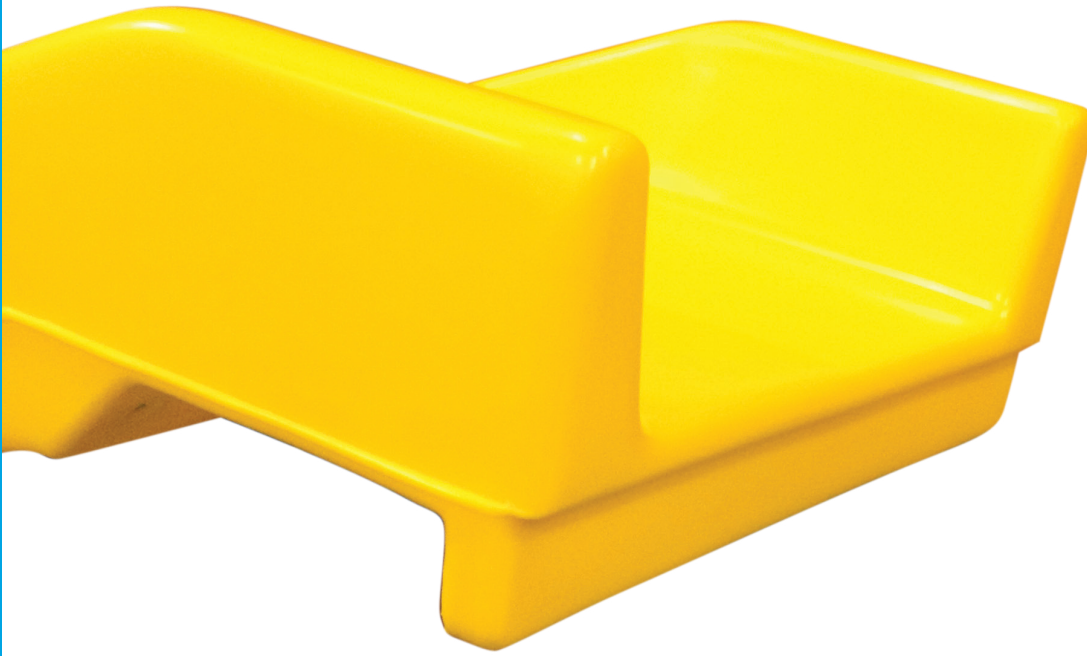


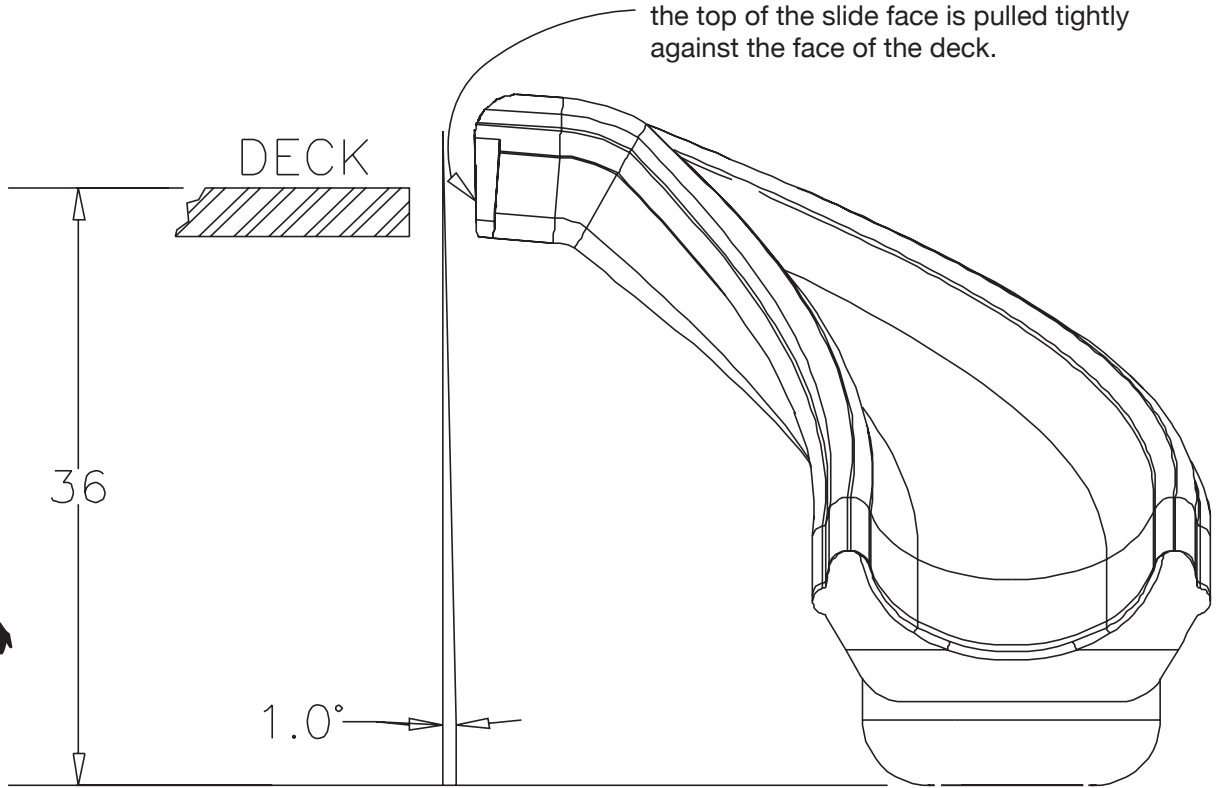
SLIDES

Deck Mounting System



You will notice with many of our slides we refer to a **Deck Mounting System**. We have shown line drawings to demonstrate this system.

The face of the slide has a 1° draft to ensure the top of the slide face contacts the face of the deck first. When the hardware is installed the top of the slide face is pulled tightly against the face of the deck.



Note:
The 3CURVED,N slide is shown for demonstration purposes only. All areas stating "Deck Mounting System" are referring to this installation method

