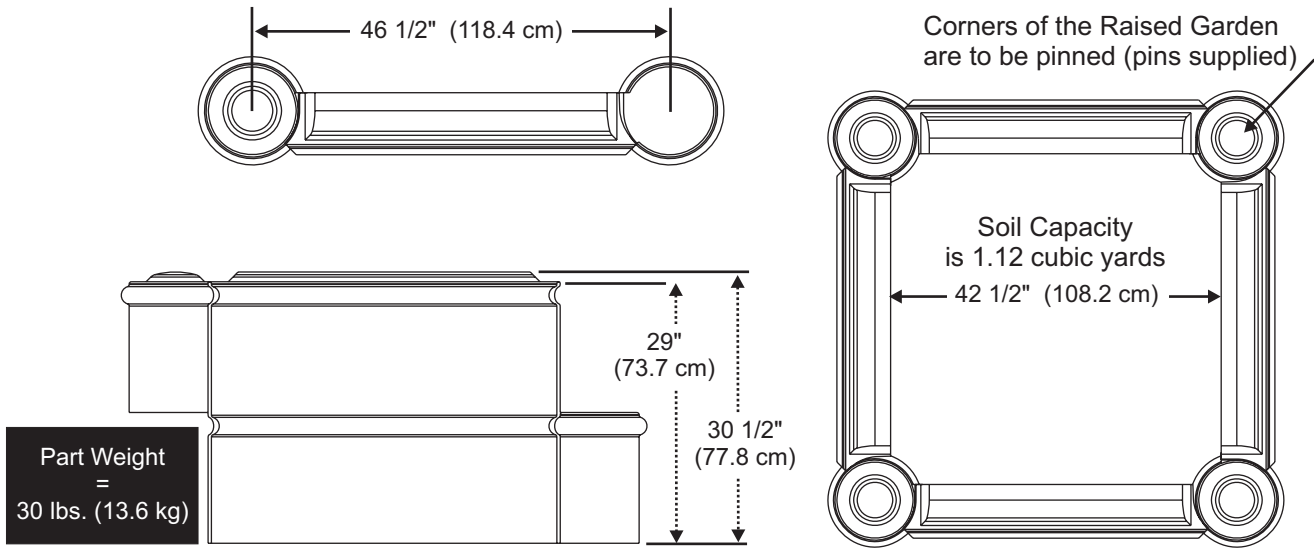
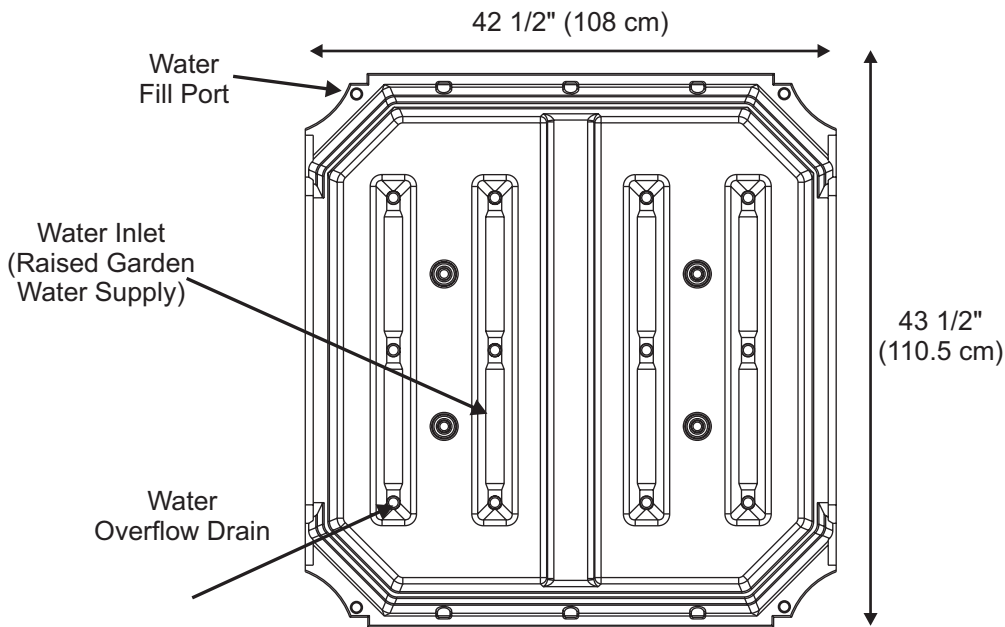


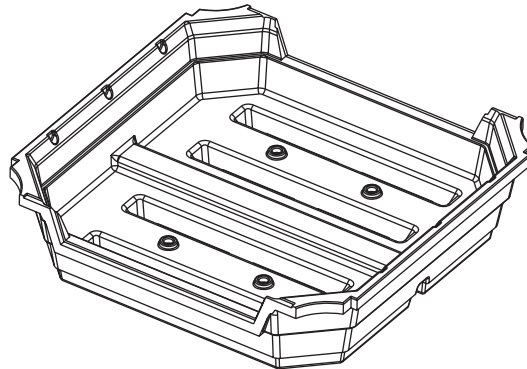
# CastleRock™ Raised Garden Panel Specifications



# CastleRock™ Soil Tray Specifications



**Part Weight:** 28 lbs. (12.7 kg)  
**Water Capacity:** 10 gallons; 38 litres  
**Soil Capacity:** 1/4 cubic yard; 6.9 cubic feet  
**Soil Depth:** 8" (20.3 cm)



**Manufacturer:**  
 SPI Industries Inc., P.O. Box 100, R.R. #2, Shallow Lake, Ontario N0H 2K0 Canada  
**Tel:** 800-269-6533 or 519-935-2211 **Fax:** 519-935-2174  
**Web:** www.spiplastics.com **Email:** spi@spioplastics.com

Copyright ©2003-2008 SPI Industries Inc.  
 All rights reserved. Printed in Canada

CastleRock™

