

CastleRock™ Raised Garden Installation

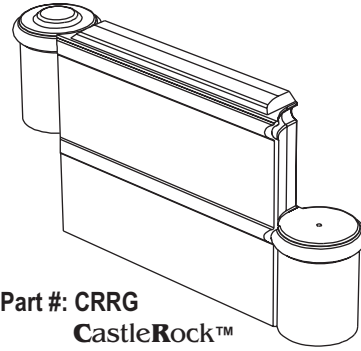
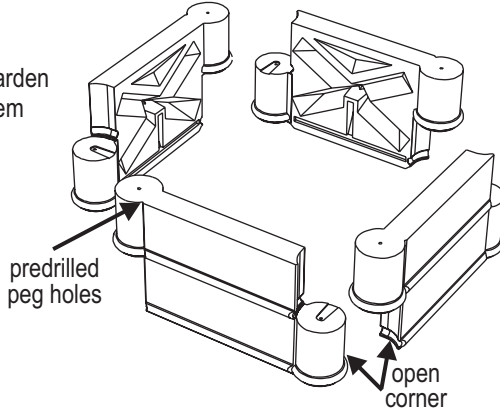
Your CastleRock™ Raised Garden uses one main panel (component) to create the configuration desired. That configuration will be either a 4' x 4' or 4' x 8'.

This product is designed for ease of installation. Congratulations on entering into a fun and exciting gardening experience!

CastleRock™ 4' x 4' Raised Garden Installation

Step 1

Take your Raised Garden Panels and place them upside down.

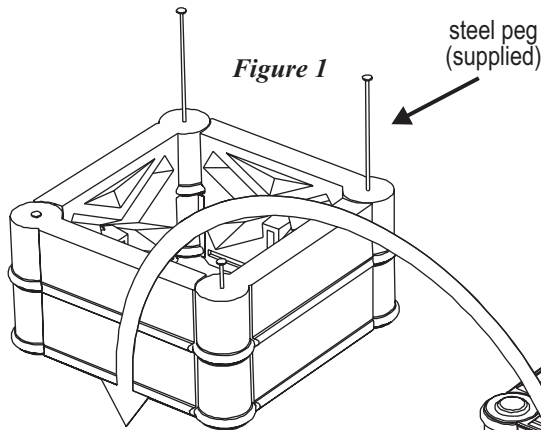


Part #: CRRG
CastleRock™
Raised Garden Panel

Note: Stone face not shown on images

Step 2

Move each of your Raised Garden Panels to line up the predrilled holes. Insert the supplied steel pegs to lock the wall sections together. See *Figure 1*.

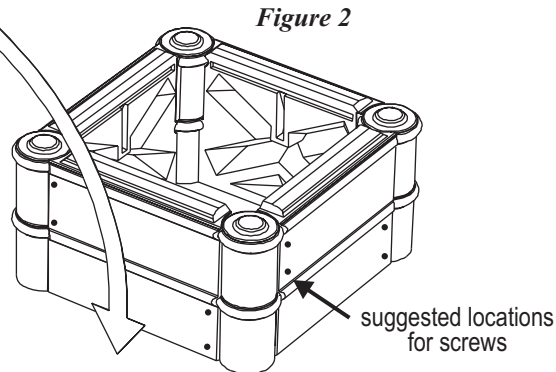


Note:

- Each Raised Garden Panel comes predrilled to accept the supplied steel pegs. This locks the Raised Garden Panel sections in place.
- Use of #12 x 2" wood screws in open corners will prevent spreading when filled with soil (see figure 2).
- If using a tractor or dump truck to fill the garden with soil use care to minimize pressure on the garden walls.

Step 3

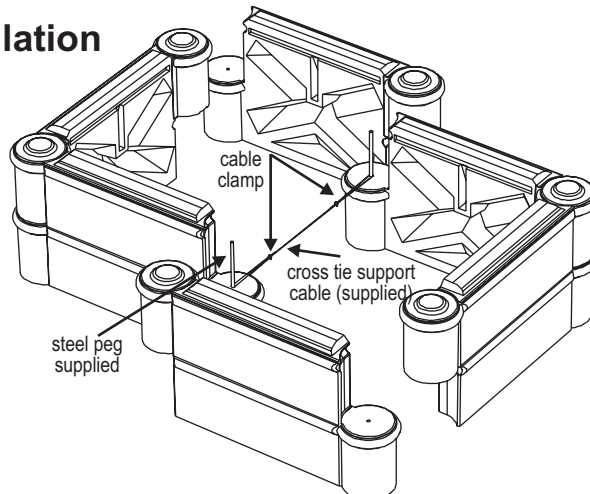
Flip over your assembled Raised Garden. Place in your desired location. Make sure you are on level ground. Your CastleRock™ Raised Garden is now ready for your preferred mix of aggregate, soil etc. See *Figure 2*. Enjoy.



CastleRock™ 4' x 8' Raised Garden Installation

- Arrange your Raised Garden Panels so they are aligned to assemble your 4' x 8' Raised Garden configuration.
- Line up the predrilled holes.
- Insert the supplied steel pegs to lock the wall sections together.

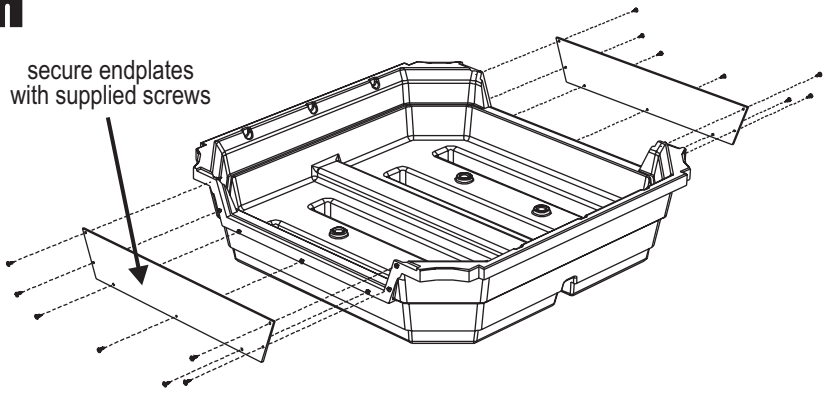
Note: When assembling Raised Gardens 8' long we recommend the use of a cross tie support cable (supplied) to prevent spreading of the Raised Garden Panels (due to pressure exerted by the contents).



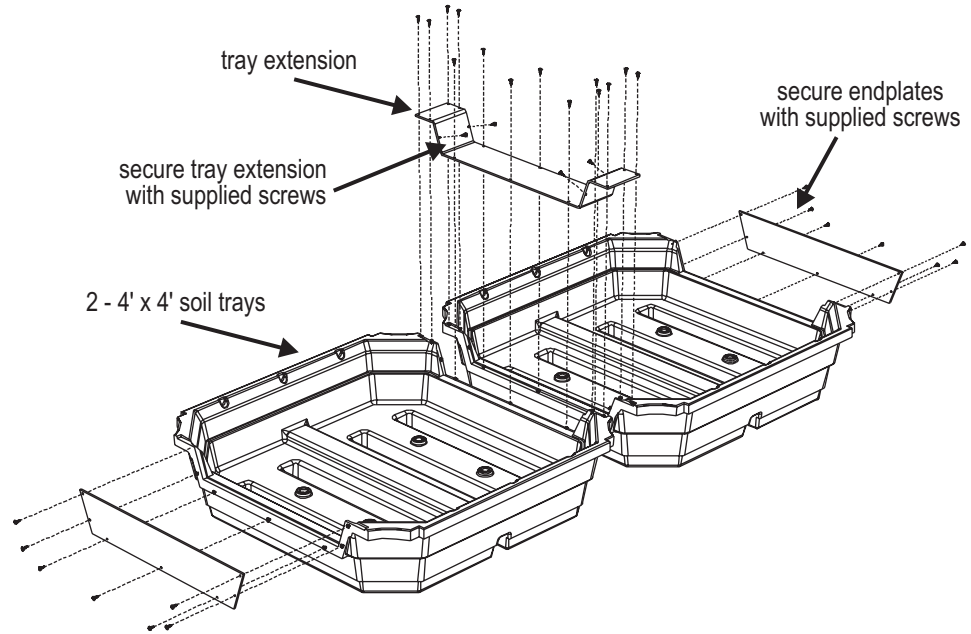
CastleRock™
SPI

Soil Tray Installation

Preparing the Tray (4' x 4' Configuration)

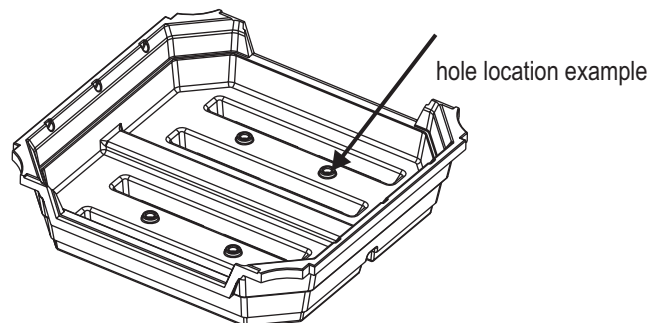


Preparing the Soil Tray (4' x 8' Configuration)



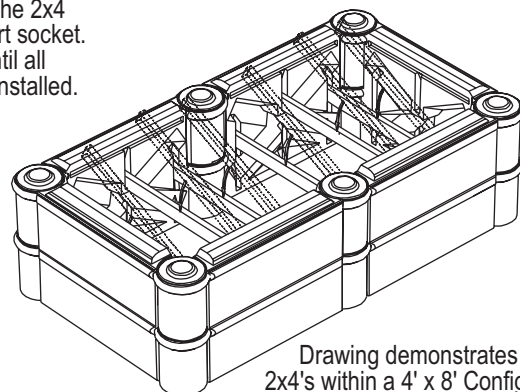
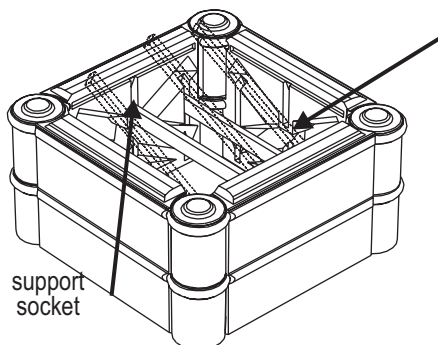
Installing the Geotextile Filters

You will find a bag of Geotextile Filters for your soil tray. Place these inserts in the hole locations of your soil tray.



Installing the 2x4 (47 3/4" l) Tray Supports

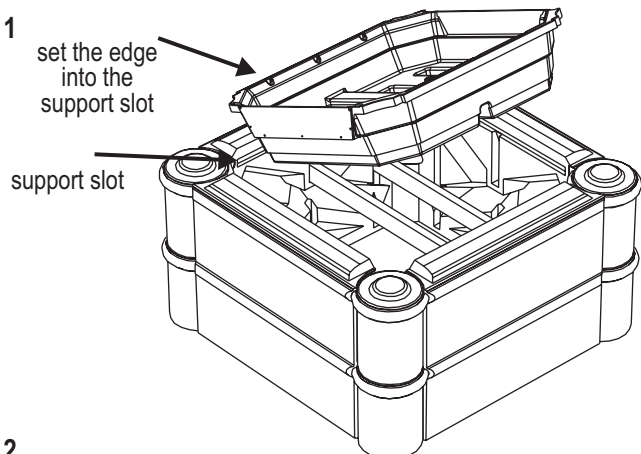
Insert one end of the 2x4 into the support socket; then drop the other end of the 2x4 into the other adjacent support socket. Complete this process until all support sockets have 2x4's installed.



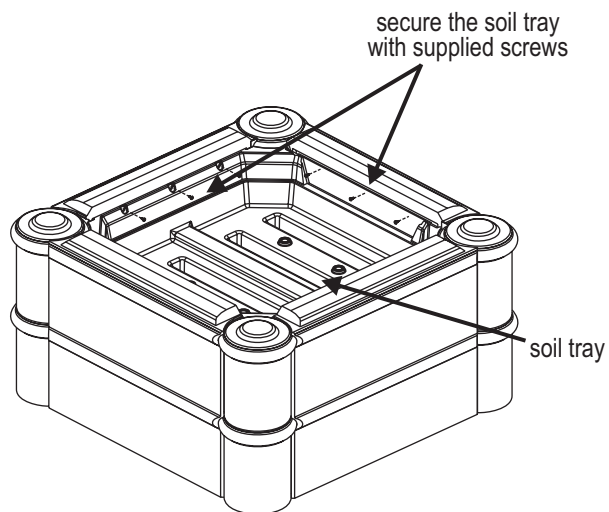
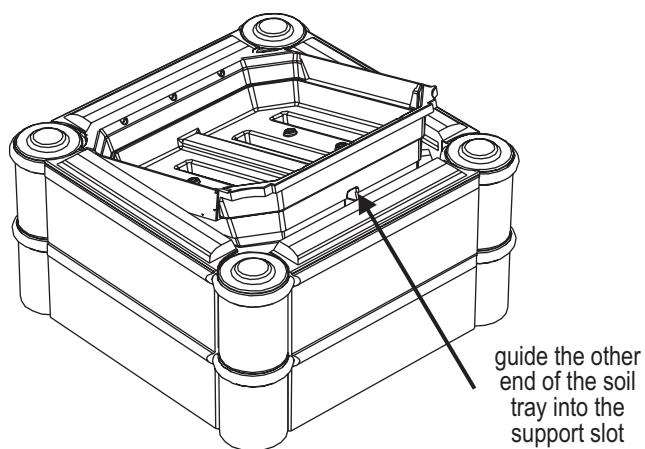
Drawing demonstrates placing 2x4's within a 4' x 8' Configuration

Installing the Soil Tray 4' x 4' Configuration

Step 1

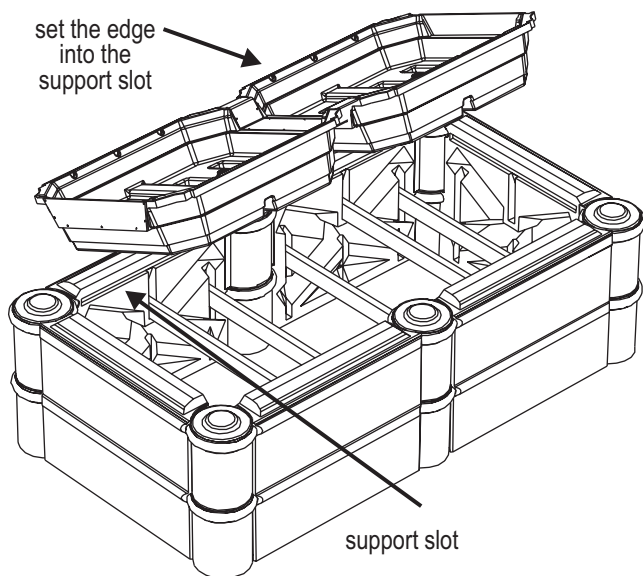


Step 2

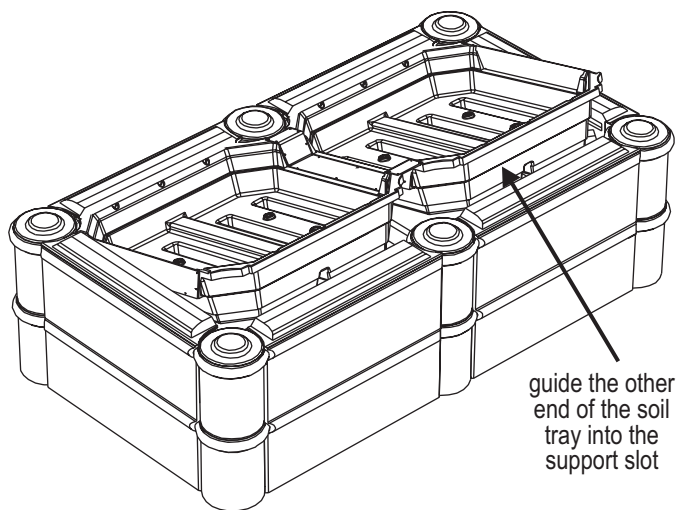


Installing the Soil Tray 4' x 8' Configuration

Step 1

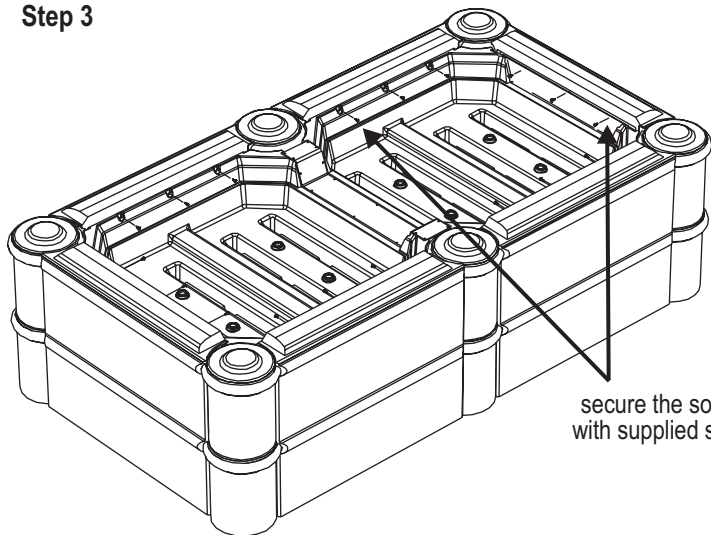


Step 2



Soil Tray Installation *(continued)*

Step 3



secure the soil tray
with supplied screws

Warranty

It is the goal of SPI to provide our customers with the finest **CastleRock™** products. Our extensive knowledge of the industry is your assurance that you will receive quality.

SPI provides a 5 (five) year limited warranty for all **CastleRock™** Polyethylene products. This warranty covers structural failure for the value of the product, not including freight charges or labor expense. Warranty does not cover vandalism or cosmetic issues (such as color fading). Warranty void if product used beyond its intended engineered capabilities. If in doubt on intended engineering specifications please contact SPI Customer Service.

CastleRock™ Soil Tray Function

The **CastleRock™ Soil Tray** is designed as a hollow (double walled) part. The water is stored in the Soil Tray within the walls of the tray itself. There is a partial barrier, dividing the **CastleRock™ Soil Tray** down the middle, therefore, *it is recommended that both sides of the tray be filled with water separately to ensure complete filling of the soil tray.*

The **CastleRock™ Soil Tray** is designed to ensure that the soil has access to all of the water contained within the soil tray. As such, the floor of the tray has 4 (four) recessed slots providing access to the water. The water enters the soil from the bottom of the **CastleRock™ Soil Tray** encouraging deep root growth and larger healthier root crops such as carrots, radishes, beets etc.

To ensure no soil or sediment gets inside the water storage area, of the soil tray, all water inlets/outlets have a geotextile filter. **These filters must be installed in the CastleRock™ Soil Tray before filling the tray with soil.**

All necessary hardware is provided to link the **CastleRock™ Soil Trays** together as a continuous length. *Please note that each soil tray must be filled separately with water as there is no transfer of water between trays.*

Capacity:

The **CastleRock™ Soil Tray** is at maximum water capacity of approximately 10 gallons (38 litres) when water is heard to be spilling from the water overflow drains.

CastleRock™ Distributed By:

Updated: June 11, 2008



Manufacturer:

SPI Industries Inc.
P.O. Box 100, R.R. #2
Shallow Lake, Ontario N0H 2K0
Tel: 800-269-6533 or 519-935-2211
Fax: 519-935-2174
Web: www.spiplastics.com
Email: spi@spiplastics.com